


**Middle Atlantic Products**

EXCEPTIONAL SUPPORT &amp; PROTECTION™

# Series Protection™ Power Distribution


**PATENT PENDING**

## Series Protection™ - Power Distribution with Instantaneous & Non-Degrading Surge Elimination

### Features

- Industry's fastest patent-pending non-sacrificial surge technology protects equipment from damage without contaminating system ground
- 100% free MOV-free design is non-sacrificial and non-degrading
- Connected devices are automatically disconnected (protected) from sustained over & under input voltage
- Automatic recovery after both over- and under-voltage events minimizes system downtime
- Available in 15 or 20 Amps at 120 volts in 19" rackmount, in 15 or 20 Amps in half rack, and in 15 Amp hardwired versions
- 15 Amp Hardwired model available
- Series Protection technology meets the most current and applicable highest standard for safety and reliability
- 12 year warranty



PD-920R-SP



PD-415R-SP



PD-HW15-SP

### Architects' and Engineers' Specifications

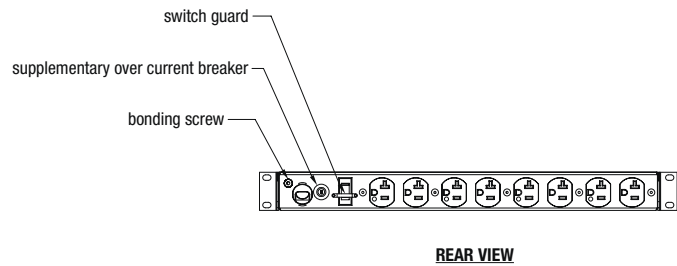
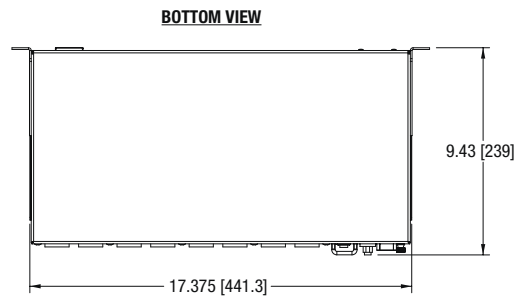
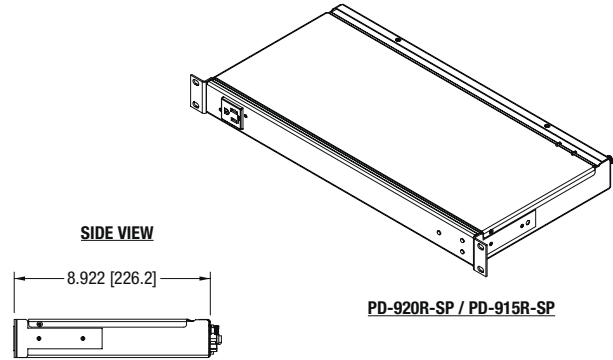
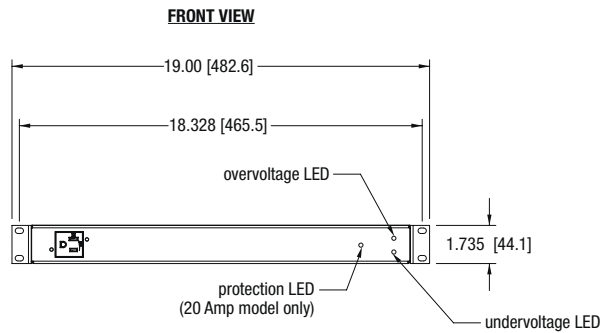
Series Protection™ power distribution unit shall be Middle Atlantic Products model # PD-\_\_\_\_-SP (refer to chart), with a (15, 20) Amp power capacity. Series Protection power distribution unit shall operate on 120 volt AC/60Hz current. Series protection shall be \_\_\_\_ (Rackmount, Half-rack rackmount, Stand Alone, refer to chart). Series Protection shall be \_\_\_\_" H x \_\_\_\_" W X \_\_\_\_" D, refer to drawing. Series Protection shall include 9' 14/3 SignalSAFE™ power cord with NEMA 5-\_\_P (15, 20) (refer to chart) plug, or be hardwired. Series Protection shall include \_\_\_\_ (4,8) rear outlets, \_\_\_\_ (0, 1) (refer to chart) front outlets. Series Protection power distribution shall have both over AND under-voltage cutoff and shall automatically restore power once event has passed. The over voltage cut-off threshold shall not exceed 135 VAC. The under voltage cut-off

threshold shall not be lower than 100 VAC. Series Protection power shall be 100% free of MOVs. Series Protection power shall have a rated capacity (not peak operating capacity) of (15A/20A) (refer to chart). Series Protection power distribution shall have a black powder coat finish. Series Protection shall comply with the requirements of RoHS EU Directive 2002 / 95 / EC. Rackmount power strip shall be ETL Listed to UL standard 1283 and 1449, 3rd Ed. (Corded model), or 1283 (hardwired model) in the US and to CAN/CSA C22.2 #8, ed. 4 in Canada. Series Protection power distribution shall be manufactured by an ISO 9001 registered company. Series Protection power distribution shall be warranted to be free from defects in materials and workmanship under normal use and conditions for a period of 12 years.

**CUSTOMIZABLE SPECIFICATION CLIPS AVAILABLE AT MIDDLEATLANTIC.COM**

## Full Rackmount 19" Width basic dimensions

All dimensions in inches unless otherwise noted [All dimensions in brackets are in millimeters]



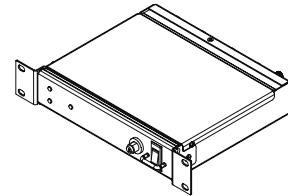
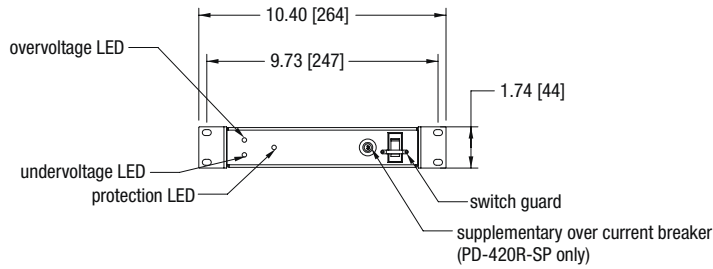
Part #	Chassis	Input	Outlet Qty	Peak Load @120VAC	Surge Mode	Measured Over/Under Voltage Threshold (Outlets Only)*			
						Upper Limit Cutoff	Upper Limit Restore	Lower Limit Cutoff	Lower Limit Restore
PD-915R-SP	Rackmount	9' SignalSAFE™ Cord	9	15A	Series	135VAC (RMS)	126VAC (RMS)	100VAC (RMS)	105VAC (RMS)
PD-920R-SP	Rackmount	9' SignalSAFE™ Cord	9	20A	Series	135VAC (RMS)	126VAC (RMS)	100VAC (RMS)	105VAC (RMS)
PD-415R-SP	Half Rack	9' SignalSAFE™ Cord	4	15A	Series	135VAC (RMS)	126VAC (RMS)	100VAC (RMS)	105VAC (RMS)
PD-420R-SP	Half Rack	9' SignalSAFE™ Cord	4	20A	Series	135VAC (RMS)	126VAC (RMS)	100VAC (RMS)	105VAC (RMS)
PD-HW15-SP	Stand alone	Internal J-Box		15A	Series	135VAC (RMS)	126VAC (RMS)	100VAC (RMS)	105VAC (RMS)

\*Measured using 0.8 pf load

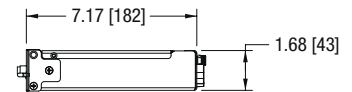
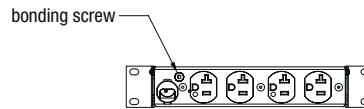
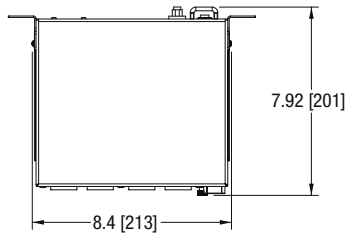


## Half Rackmount 10.4" Width basic dimensions

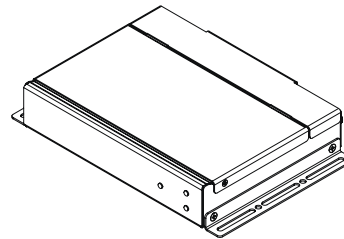
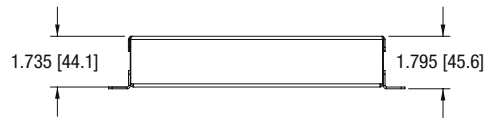
All dimensions in inches unless otherwise noted [All dimensions in brackets are in millimeters]



**PD-420R-SP / PD-415R-SP**



## PD-HW15-SP basic dimensions



**PD-HW15-SP**

