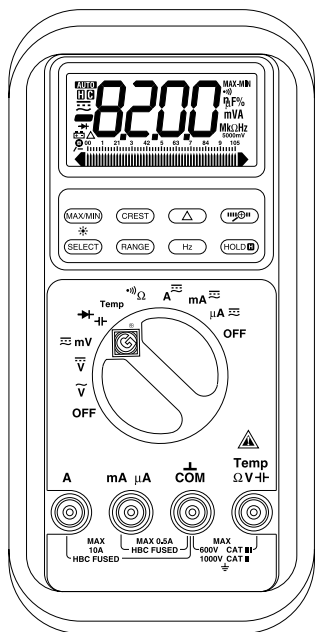


INSTRUCTION MANUAL MANUAL DE INSTRUCCIONES MANUEL D'INSTRUCTIONS



**DM-800 • DM-810
• DM-820**

**DIGITAL
MULTIMETERS
MULTÍMETROS
DIGITALES
MULTIMETRES
NUMERIQUES**



Read and understand all of the instructions and safety information in this manual before operating or servicing this tool.

Lea y entienda todas las instrucciones y la información sobre seguridad que aparecen en este manual, antes de manejar estas herramientas o darles mantenimiento.

Lire attentivement et bien comprendre toutes les instructions et les informations sur la sécurité de ce manuel avant d'utiliser ou de procéder à l'entretien de cet outil.

Description

The Greenlee DM-800, DM-810 and DM-820 Digital Multimeters are hand-held testing devices with the following measurement capabilities: AC and DC voltage, AC and DC current, temperature (K-type thermocouples only), frequency, resistance and capacitance. They also check diodes and verify continuity.

Specialized functions and capabilities include:

- MAX/MIN function, which stores the maximum, minimum, and difference (maximum – minimum)
- Bar graph display, which responds more quickly than the numeric display — useful for detecting faulty contacts, potentiometer clicks and signal spikes
- Crest capture mode to capture voltage or current signal peaks
- Zoom mode analog pointer, which magnifies the bar graph for higher resolution

Safety



Safety is essential in the use and maintenance of Greenlee tools and equipment. This instruction manual and any markings on the tool provide information for avoiding hazards and unsafe practices related to the use of this tool. Observe all of the safety information provided.

Purpose

This instruction manual is intended to familiarize all personnel with the safe operation and maintenance procedures for the Greenlee DM-800, DM-810 and DM-820 Digital Multimeters.

Keep this manual available to all personnel.

Replacement manuals are available upon request at no charge.

 and  **GREENLEE**[®] are registered trademarks of Greenlee Textron.

KEEP THIS MANUAL

Important Safety Information



SAFETY ALERT SYMBOL

This symbol is used to call your attention to hazards or unsafe practices which could result in an injury or property damage. The signal word, defined below, indicates the severity of the hazard. The message after the signal word provides information for preventing or avoiding the hazard.

▲ DANGER

Immediate hazards which, if not avoided, **WILL** result in severe injury or death.

▲ WARNING

Hazards which, if not avoided, **COULD** result in severe injury or death.

▲ CAUTION

Hazards or unsafe practices which, if not avoided, **MAY** result in injury or property damage.



▲ WARNING

Read and understand this material before operating or servicing this equipment. Failure to understand how to safely operate this tool can result in an accident causing serious injury or death.



▲ WARNING

Electric shock hazard:
Contact with live circuits can result in severe injury or death.

Important Safety Information

WARNING

Electric shock and fire hazard:

- Do not expose this unit to rain or moisture.
- Use this unit for the manufacturer's intended purpose only, as described in this manual. Any other use can impair the protection provided by the unit.

Failure to observe these warnings can result in severe injury or death.

WARNING

Electric shock hazard:

- Do not use the unit if it is wet or damaged.
- Use test leads or accessories that are appropriate for the application. See the category and voltage rating of the test lead or accessory.
- Inspect the test leads or accessory before use. The item(s) must be clean and dry, and the insulation must be in good condition.

Failure to observe these warnings can result in severe injury or death.

WARNING

Electric shock hazard:

- Do not apply more than the rated voltage between any two input terminals, or between any input terminal and earth ground.
- Do not contact the test lead tips or any uninsulated portion of the accessory.

Failure to observe these warnings can result in severe injury or death.

WARNING

- Do not operate with the case open.
- Before opening the case, remove the test leads from the circuit and shut off the unit.

Failure to observe these warnings can result in severe injury or death.

Important Safety Information

WARNING

The fuse is an integral part of the overvoltage protection. When fuse replacement is necessary, see Specifications for the correct type, size and capacity. Using any other type of fuse will void the overvoltage protection rating of the unit.

Failure to observe this warning can result in severe injury or death.

CAUTION

Do not change the measurement function while the test leads are connected to a component or circuit.

Failure to observe this precaution can result in injury and can damage the unit.

CAUTION

- Do not attempt to repair this unit. It contains no user-serviceable parts.
- Do not expose the unit to extremes in temperature or high humidity. See Specifications.

Failure to observe these precautions can result in injury and can damage the unit.

IMPORTANT

Unless measuring voltage, current or frequency, shut off and lock out power. Make sure that all capacitors are discharged. Voltage must not be present.

IMPORTANT

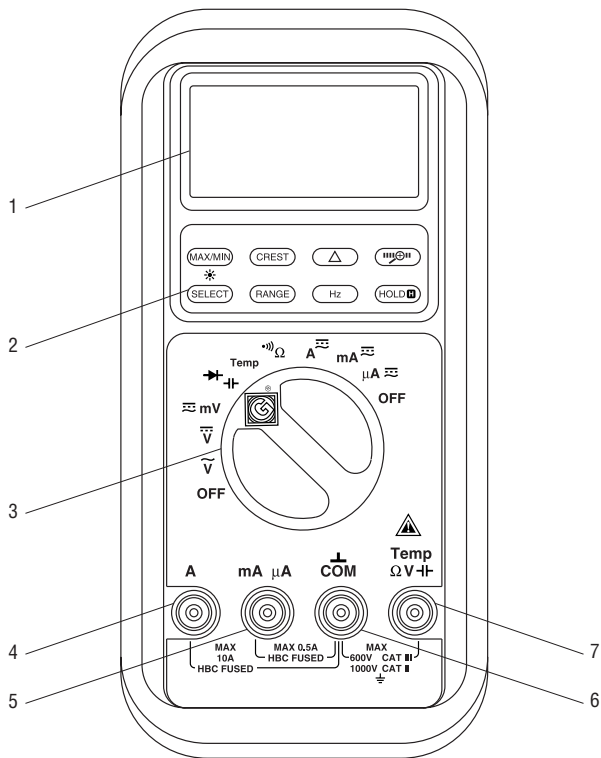
Set the selector and connect the test leads so that they correspond to the intended measurement. Incorrect settings or connections can result in a blown fuse.

IMPORTANT

Using this unit near equipment that generates electromagnetic interference can result in unstable or inaccurate readings.

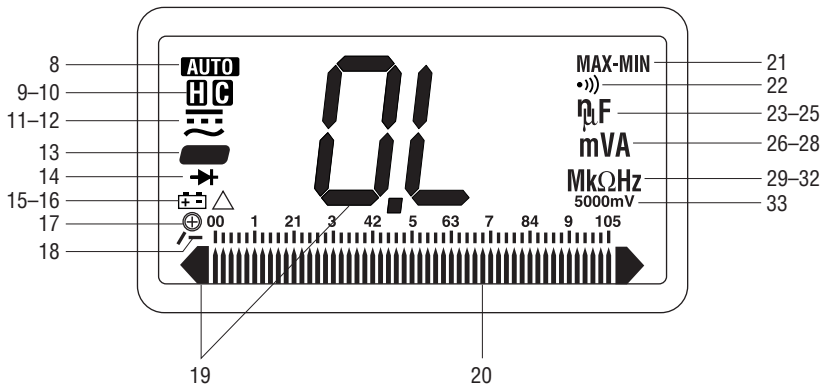
Identification

1. Display LCD and bar graph
2. Feature Buttons See explanations under Using the Features
3. Selector Selects a function or turns power OFF
4. **A** Positive input terminal for high current measurements
5. **mA μ A** Positive input terminal for low current measurements
6. **COM** Negative, common or ground input terminal for all measurements
7. **Ω V \overline{V}** Positive input terminal for all measurements *except* current



Display Icons


- | | | | |
|--------------------------|---|-----------------------------|--|
| 8. AUTO | Automatic Ranging is enabled. | 22. •••)) | Continuity |
| 9. H | Hold function is enabled. | 23. n | Nano (10^{-9}) |
| 10. C | Crest Capture function is enabled. | 24. μ | Micro (10^{-6}) |
| 11. ≡ | DC measurement is selected. | 25. F | Farads |
| 12. ~ | AC measurement is selected. | 26. m | Milli (10^{-3}) |
| 13. - | Polarity Indicator | 27. V | Volts |
| 14. → | Diode | 28. A | Amps |
| 15. +
- | Low Battery | 29. M | Mega (10^6) |
| 16. Δ | Relative Zero function is enabled. | 30. k | Kilo (10^3) |
| 17. ⊕ | Bar graph is magnified for higher resolution. | 31. Ω | Ohms |
| 18. - | Polarity for Bar Graph | 32. Hz | Hertz (frequency in cycles per second) |
| 19. OL | Overload (numeric display) | 33. (variable) | Sensitivity level for Hz feature |
| ◀▶ | Overload (bar graph display) | | |
| 20. █ | Bar Graph Element | | |
| 21. MAX MIN | MAX/MIN mode is enabled. | | |





Using the Features

- **Automatic Power Off** To extend battery life, the meter will shut itself off after approximately 17 minutes of inactivity. To restore power, press any button. To disable this feature, press **RANGE** while turning the meter on.
- **MAX/MIN (DM-820 only)** Press momentarily to begin recording the input. MAX MIN will appear on the display. The meter will beep whenever the minimum or maximum is updated. When using the MAX/MIN function, press momentarily to cycle through the maximum, minimum, difference (MAX – MIN). Press and hold to exit this mode.

The Automatic Power Off feature is disabled when using this function.

- **CREST (DM-820 only)** Press momentarily to capture the crests of AC or DC voltage or current.  and MAX will appear on the display. The meter will capture and hold a signal peak with a duration as short as 5 ms. Press momentarily to cycle through the maximum crest, minimum crest and maximum – minimum crest (peak to peak). Press and hold to exit this mode.


The Automatic Power Off feature is disabled when using this function.

- **Δ (DM-820 only)** Finds the difference between two measurements. While taking a measurement, press Δ to set the display to zero. The Δ icon will appear on the display. Take the second measurement. The value on the display will be the difference between the two measurements. Press again to exit this mode.
-  **(DM-820 only)** Press momentarily to change the resolution of the bar graph.
-  Press and hold until LCD illuminates. The lamp turns off after 30 seconds to extend battery life.
- **SELECT** Press momentarily to toggle between functions, or to toggle between AC and DC when measuring current and millivolts.
- **RANGE** Press once to enter the manual ranging mode. The **AUTO** icon will disappear from the display. Press repeatedly to step through the ranges. Press and hold to return to the automatic ranging mode.

Note: When using MAX/MIN, HOLD, or Δ mode, pressing RANGE will cause the meter to exit that mode.

- **Hz** Press to measure frequency.

Note: The sensitivity of the frequency measurement function varies with the measurement range. To automatically select a sensitivity level, measure the voltage level first, then press Hz. If the reading becomes unstable, or if the display is blank, manually change the sensitivity by momentarily pressing RANGE.

- **HOLD**  Press momentarily to hold the present value on the display. Press again to exit this mode.

This feature does not affect the bar graph.

AC Measurement


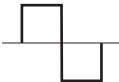


AC measurements are usually displayed as RMS (*root mean squared*) values. Two methods of AC measurement are *average-responding RMS calibrated* and *true RMS-reading*.

The average-responding RMS calibrated method takes the average value of the input signal, multiplies it by 1.11, and displays the result. This method is accurate if the input signal is a pure sine wave. The Greenlee DM-800 is an average-responding meter.

The true RMS-reading method uses internal circuitry to read the true RMS value. This method is accurate, within the specified crest factor limitations, whether the input signal is a pure sine wave, a square wave, sawtooth wave, half wave or signal with harmonics. The ability to read true RMS provides much more measurement versatility. The Greenlee DM-810 and DM-820 are true RMS meters.

The Waveforms and Crest Factors table shows some typical AC signals and their RMS values.

Waveforms and Crest Factors

Waveform				
RMS Value	100	100	100	100
Rectified Value	90	100	87	64
Crest Factor* (ξ)	1.414	1	1.73	2

* The crest factor is the ratio of the peak value to the RMS value; it is represented by the Greek letter ξ .

Operation



WARNING

Electric shock hazard:

Contact with live circuits can result in severe injury or death.

1. See the Settings Table. Set the selector to the proper setting, press **SELECT** (when instructed to do so), and connect the test leads to the meter.
2. See Typical Measurements for specific measurement instructions.
3. Test the unit on a known functioning circuit or component.
 - If the unit does not function as expected on a known functioning circuit, replace the battery and/or fuses.
 - If the unit still does not function as expected, send the unit to Greenlee for repair.
4. Take the reading from the circuit or component to be tested.

Settings Table

To measure this value ...	set the selector to this symbol ...	this icon will appear on the display ...	connect the red lead to ...	and connect the black lead to ...
Capacitance* (DM-800 and DM-810)		F	Ω V	COM
Capacitance* (DM-820)	 	F	Ω V	COM
Continuity**	 and press SELECT		Ω V	COM
Current (10 A max)	A	A	A	COM
Current (500 mA max)	mA	mA	μ A mA	COM
Current (5000 μ A max)	μA	μ A	μ A mA	COM
Diode (DM-800 and DM-810)		and V	Ω V	COM
Diode (DM-820)	 and press SELECT	and V	Ω V	COM
Frequency	 V and press Hz	Hz	Ω V	COM
Resistance***	Ω	Ω	Ω V	COM
Voltage (1000 V max)	 V	and V	Ω V	COM
	 V	and V		
Voltage (500 mV max)	mV	mV	Ω V	COM
Temperature (DM-820 only)	Temp	C or F (press SELECT to change scale)	Temp Ω V	COM

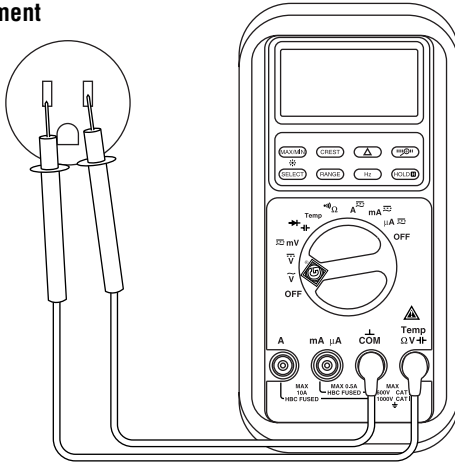
* Discharge capacitor before measurement. Discharge a large capacitor through an appropriate resistive load.

** Tone indicates continuity. The threshold is between 20 Ω and 200 Ω .

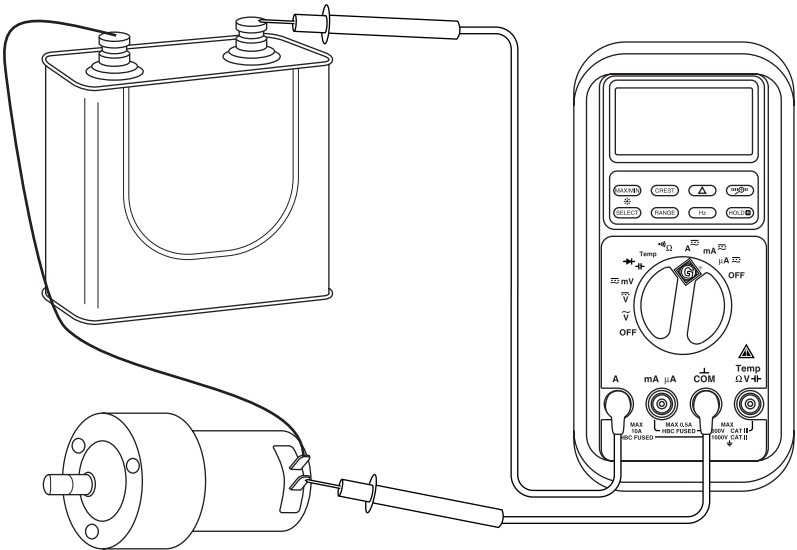
*** For precise resistance measurements, begin in the autoranging mode and press **RANGE** twice. When the meter displays "Shrt", short the test leads together until the meter reads "0". The meter will now compensate for the resistance of the test leads and the internal protection circuitry, allowing very precise resistance measurements. Changing ranges, functions, or going back to autoranging mode will reset the meter.

Typical Measurements

Voltage Measurement

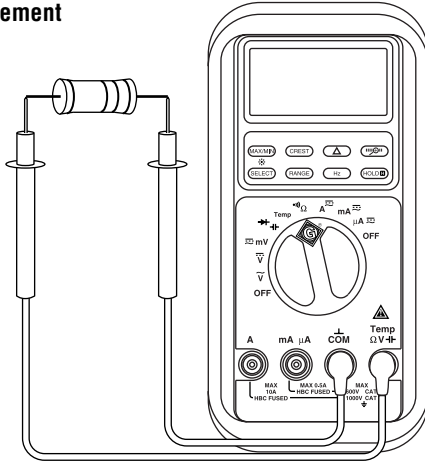


Current Measurement

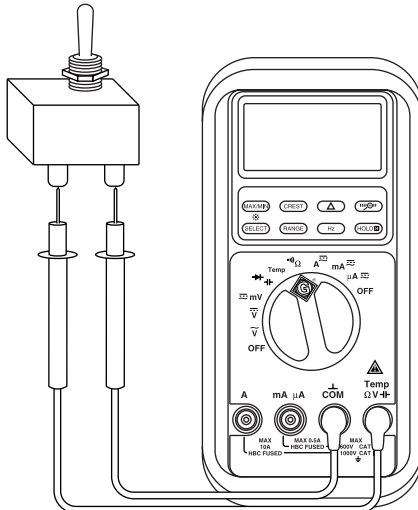


Typical Measurements

Resistance Measurement

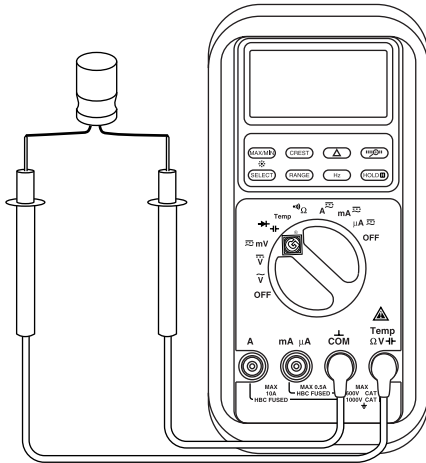


Continuity Check



Typical Measurements

Capacitance Measurement

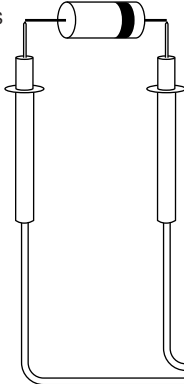


Diode Measurement

Reverse Bias

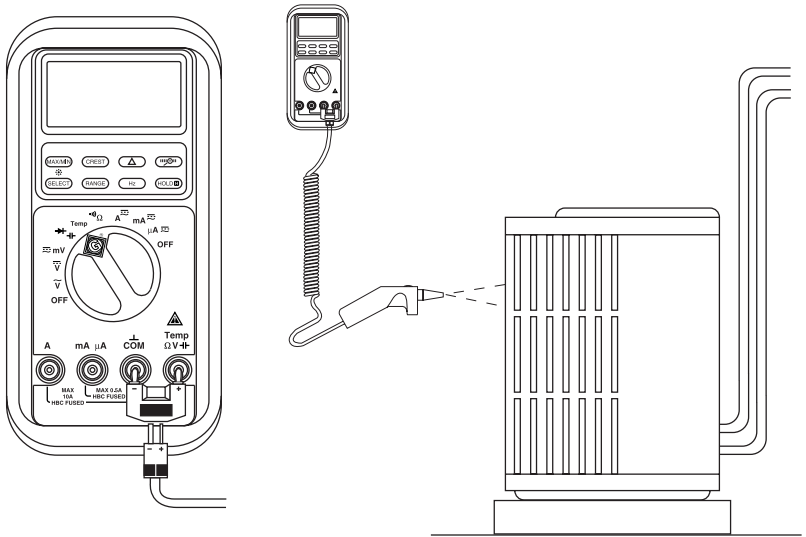


Forward Bias



Typical Measurements

Temperature



Accuracy

See the Specifications section for operating conditions and temperature coefficient.

Accuracy is specified as follows: \pm (a percentage of the reading + a fixed amount) at 23 °C \pm 5 °C (73.4 °F \pm 9 °F), 0% to 75% relative humidity.

True RMS readings: DM-810 and DM-820 AC accuracies are specified from 5% to 100% of the range unless otherwise specified. Frequency must be within the specified bandwidth for non-sinusoidal waveforms. Crest factors are as follows:

- Crest factor < 3:1 at full scale
- Crest factor < 6:1 at half scale

AC Current

Range	Accuracy at 50 Hz to 60 Hz	Accuracy at 40 Hz to 1 kHz
499.9 μ A	\pm (0.6% + 0.3 μ A)	\pm (0.8% + 0.4 μ A)
4999 μ A	\pm (0.6% + 3 μ A)	\pm (0.8% + 4 μ A)
49.99 mA	\pm (0.6% + 0.03 mA)	\pm (0.8% + 0.04 mA)
499.9 mA	\pm (1.0% + 0.3 mA)	\pm (1.0% + 0.4 mA)
4.999 A	\pm (0.6% + 0.003 A)	\pm (0.8% + 0.004 A)
10.00 A*	\pm (0.6% + 0.03 A)	\pm (0.8% + 0.04 A)

* 10 A continuous; 20 A maximum (Duty Cycle: 30 seconds on, 5 minutes off)

DC Current

Range	Accuracy
499.9 μ A	\pm (0.2% + 0.4 μ A)
4999 μ A	\pm (0.2% + 4 μ A)
49.99 mA	\pm (0.2% + 0.04 mA)

Range	Accuracy
499.9 mA	\pm (0.2% + 0.4 mA)
4.999 A	\pm (0.2% + 0.004 A)
10.00 A*	\pm (0.2% + 0.04 A)

* 10 A continuous; 20 A maximum (Duty Cycle: 30 seconds on, 5 minutes off)

Accuracy

AC Voltage

Range	Accuracy at 50 Hz to 60 Hz	Accuracy at 40 Hz to 500 Hz	Accuracy at 500 Hz to 20 kHz	Input Impedance
49.99 mV	$\pm (0.5\% + 0.03 \text{ mV})$	$\pm (0.8\% + 0.03 \text{ mV})$	0.5 dB*	10 M Ω , 44 pF nominal
499.9 mV	$\pm (0.5\% + 0.3 \text{ mV})$	$\pm (0.8\% + 0.3 \text{ mV})$	0.5 dB*	
4.999 V	$\pm (0.5\% + 0.003 \text{ V})$	$\pm (1.0\% + 0.004 \text{ V})$	3 dB*	10 M Ω , 16 pF nominal
49.99 V	$\pm (0.5\% + 0.03 \text{ V})$	$\pm (1.0\% + 0.04 \text{ V})$	3 dB*	
499.9 V	$\pm (0.5\% + 0.3 \text{ V})$	$\pm (1.0\% + 0.4 \text{ V})$	3 dB*	
1000 V	$\pm (0.5\% + 3 \text{ V})$	$\pm (1.2\% + 4 \text{ V})$	unspecified	

* Specified from 30% to 100% of range

DC Voltage

Range	Accuracy	Input Impedance
49.99 mV	$\pm (0.12\% + 0.02 \text{ mV})$	10 M Ω , 44 pF nominal
499.9 mV	$\pm (0.06\% + 0.2 \text{ mV})$	
4.999 V	$\pm (0.08\% + 0.002 \text{ V})$	10 M Ω , 16 pF nominal
49.99 V	$\pm (0.08\% + 0.02 \text{ V})$	
499.9 V	$\pm (0.08\% + 0.2 \text{ V})$	
1000 V	$\pm (0.08\% + 2 \text{ V})$	

Accuracy (cont'd)

Frequency

Function	Sensitivity (Sine RMS)	Range
500 mV	300 mV	10 Hz to 125 kHz
5 V	2 V	10 Hz to 125 kHz
50 V	20 V	10 Hz to 20 kHz
500 V	80 V	10 Hz to 1 kHz
1000 V	300 V	10 Hz to 125 kHz
Ohms, Capacitance, Diode	300 mV	10 Hz to 1 kHz
Current	10 % of full scale	10 Hz to 125 kHz

Accuracy of Frequency Ranges

Display Range	Accuracy
99.99 Hz	$\pm (0.01\% + .02 \text{ Hz})$
999.9 Hz	$\pm (0.01\% + 0.2 \text{ Hz})$
9.999 kHz	$\pm (0.01\% + .002 \text{ kHz})$
99.99 kHz	$\pm (0.01\% + .02 \text{ kHz})$
125.0 kHz	$\pm (0.01\% + .2 \text{ kHz})$

Accuracy (cont'd)

Resistance

Range	Accuracy	Open Circuit Voltage
49.99 Ω	$\pm (0.2\% + 0.06 \Omega)$	< 3 VDC
499.9 Ω	$\pm (0.1\% + 0.3 \Omega)$	
4.999 k Ω	$\pm (0.1\% + 0.002 \text{ k}\Omega)$	< 1.3 VDC
49.99 k Ω	$\pm (0.1\% + 0.02 \text{ k}\Omega)$	
499.9 k Ω	$\pm (0.1\% + 0.2 \text{ k}\Omega)$	
4.999 M Ω	$\pm (0.4\% + 0.003 \text{ M}\Omega)$	
50.00 M Ω	$\pm (1.5\% + 0.05 \text{ M}\Omega)$	

Capacitance

Range	Accuracy
49.99 nF	$\pm (0.8\% + 0.03 \text{ nF})$
499.9 nF	$\pm (0.8\% + 0.3 \text{ nF})$
4.999 μF	$\pm (1.0\% + 0.003 \mu\text{F})$

Range	Accuracy
49.99 μF	$\pm (2.0\% + 0.03 \mu\text{F})$
499.9 μF	$\pm (3.5\% + 0.5 \mu\text{F})$
9999 μF	$\pm (5.0\% + 5 \mu\text{F})$

Notes: Accuracies are for film capacitors (capacitors with negligible dielectric absorption). Measurements of larger capacitors can take up to 30 seconds.

Temperature (DM-820 only)

Range: $-50 \text{ }^{\circ}\text{C}$ to $1000 \text{ }^{\circ}\text{C}$

Accuracy: $\pm (0.3\% + 3 \text{ }^{\circ}\text{C})$

Note: The accuracy information is for the meter only; see the information sheet provided with your temperature probe (purchased separately) for its accuracy.

Diode Test

Measuring Range: 2.000 V

Test Current (Typical): 0.8 mA

Open Circuit Voltage: Less than 3.5 VDC

Accuracy: $\pm (1\% + .001 \text{ V})$

Continuity

Tone Threshold: Between 20 Ω and 200 Ω .

Response Time: Less than 100 μs

Crest Capture (Voltage and Current) for Crests $\geq 5 \text{ ms}$ in duration

Accuracy: Specified accuracy ± 150 digits

Specifications

Display: LCD (5000) and 52-segment bar graph

Polarity: Automatic

Sampling Rate:

Numeric Display: 5 per second

Bar Graph Display: 60 per second

Temperature Coefficient: Nominal 0.15 x (specified accuracy) per °C
below 18 °C or above 28 °C

Automatic Power-Off: After 17 minutes of inactivity.

To disable this feature, press RANGE while turning the meter on.

Noise Rejection*:

Normal Mode Rejection Ratio > 60 dB at 50 Hz and 60 Hz when measuring DCV

Common Mode Rejection Ratio > 60 dB from 0 Hz to 60 Hz when measuring ACV

Common Mode Rejection Ratio > 120 dB at 0 Hz, 50 Hz and 60 Hz when measuring DCV

Operating Conditions:

0 °C to 35 °C (32 °F to 95 °F), 0% to 80% relative humidity (non-condensing)

35 °C to 40 °C (95 °F to 104 °F), 0% to 70% relative humidity (non-condensing)

Altitude: 2000 m (6500') maximum

Indoor use only

Storage Conditions: -20 °C to 60 °C (-4 °F to 140 °F)

0% to 80% relative humidity (non-condensing)

Remove battery.

Battery: 9-Volt (NEDA 1604, JIS 006P or IEC 6F22)

Pollution Degree: 2

Overload Protections:

Volts: 1050 V RMS, 1450 V peak

Millivolts: 1050 V RMS, 1450 V peak

A: 15 A/1000 V fuse, interrupting rating 10 kA, 13/32" x 1-1/2"

µA and mA: 1 A/600 V fuse, interrupting rating 100 kA, 13/32" x 1-1/2"

Other Functions: 1050 V RMS, 1450 V peak

Specifications (cont'd)

Overvoltage Categories:

DM-800:

Ω V \overline{H} Terminal: Category III, 600 VAC and 600 VDC; Category II, 1000 VAC and 1000 VDC

μ A and mA Terminal: Category III, 240 VAC and 150 VDC

A Terminal: Category III, 240 VAC and 150 VDC

DM-810 and DM-820: Meets the requirements for double insulation to IEC 61010-1 (1995), EN61010-1 (1995), UL3111-1 (6.1994), CSA C22.2 NO. 1010-1-92, and IEC 61010-1 second edition draft (1999) to terminals:

Ω V \overline{H} Terminal: Category III, 1000 Volts ac and dc, and Category IV, 600 Volts ac and dc

A Terminal: Category III 1000 Volts ac and dc, and Category IV 600 Volts ac and dc

μ A and mA Terminal: Category III and Category IV 600 Volts ac and 300 Volts dc

* Noise rejection is the ability to reject unwanted signals, or noise.

- *Normal mode voltages* are AC signals that can cause inaccurate DC measurements. NMRR (Normal Mode Rejection Ratio) is a measure of the ability to filter out these signals.
- *Common mode voltages* are signals present at the COM and + input terminals, with respect to ground, that can cause digit rattle or offset in voltage measurements. CMRR (Common Mode Rejection Ratio) is a measure of the ability to filter out these signals.

Per IEC1010 Overvoltage Installation Category

Overvoltage Category I

Equipment of Overvoltage Category I is equipment for connection to circuits in which measures are taken to limit the transient overvoltages to an appropriate low level.

Note: Examples include protected electronic circuits.

Overvoltage Category II

Equipment of Overvoltage Category II is energy-consuming equipment to be supplied from the fixed installation.

Note: Examples include household, office, and laboratory appliances.

Overvoltage Category III

Equipment of Overvoltage Category III is equipment in fixed installations.

Note: Examples include switches in the fixed installation and some equipment for industrial use with permanent connection to the fixed installation.

Overvoltage Category IV

Equipment of Overvoltage Category IV is for use at the origin of the installation.

Note: Examples include electricity meters and primary overcurrent protection equipment.

Battery and Fuse Replacement

WARNING

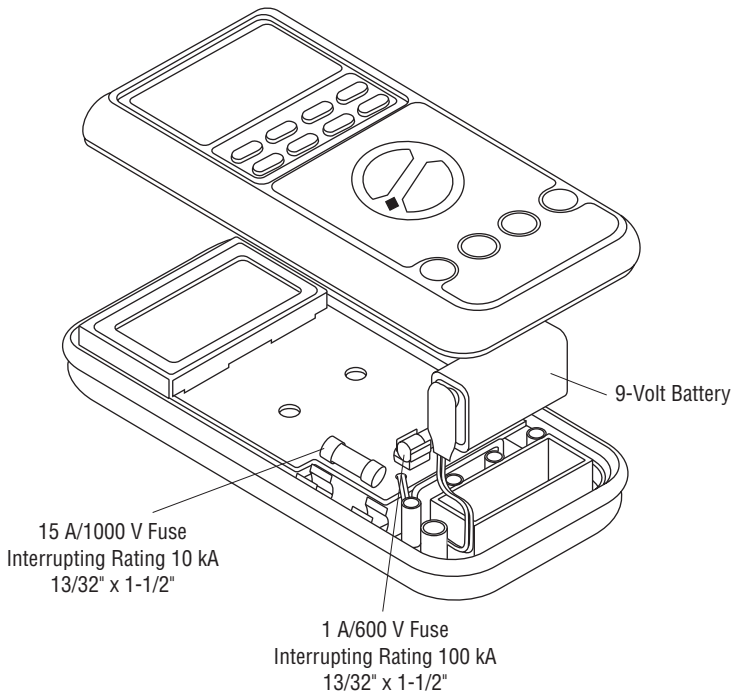
Before opening the case, remove the test leads from the circuit and shut off the unit.
Failure to observe this warning can result in severe injury or death.

WARNING

The fuse is an integral part of the overvoltage protection. When fuse replacement is necessary, see Specifications for the correct type, size and capacity. Using any other type of fuse will void the overvoltage protection rating of the unit.
Failure to observe this warning can result in severe injury or death.

1. Disconnect the unit from the circuit. Turn the unit OFF.
2. Remove the four screws from the back cover.
3. Remove the back cover.
4. Replace the battery (observe polarity) and/or fuse(s).
5. Align the two halves of the unit and the rubber gasket.
6. Be sure the selector is in the original position so that it lines up properly with the internal switch.
7. Replace the cover and screws.

Battery and Fuse Replacement (cont'd)



Cleaning

Periodically wipe the case with a damp cloth and mild detergent; do not use abrasives or solvents.

Descripción

Los Multímetros digitales modelos DM-800, DM-810 y DM-820 de Greenlee son instrumentos de verificación capaces de efectuar los siguientes tipos de mediciones: tensión alterna y continua, corriente alterna y continua, temperatura (únicamente en los modelos con termocuplas tipo K), frecuencia, resistencia y capacitancia. Asimismo, estas unidades son de bolsillo y caben perfectamente en la palma de la mano. También sirven para verificar diodos y continuidad.

Entre sus funciones y capacidades se incluyen:

- función “MAX/MIN”, la cual guarda la señal máxima, mínima y la diferencia (máxima – mínima)
- pantalla de gráfico de barras, la cual responde más rápidamente que la pantalla numérica — útil para detectar fallas en contactos, potenciómetros y picos de señal
- modo de captura de valor de cresta para capturar picos de señal de tensión o corriente
- señalizador analógico en modo “Zoom”, el cual magnifica el gráfico de barras para ofrecer una mayor resolución

Acerca de la seguridad



Es fundamental observar métodos seguros al utilizar y dar mantenimiento a las herramientas y equipo Greenlee. Este manual de instrucciones y todas las marcas que ostenta la herramienta le ofrecen la información necesaria para evitar riesgos y hábitos poco seguros relacionados con su uso. Siga toda la información sobre seguridad que se proporciona.

Propósito de este manual

Este manual de instrucciones tiene como propósito familiarizar a todo el personal con los procedimientos de operación y mantenimiento seguros para los Multímetros digitales modelos DM-800, DM-810 y DM-820 de Greenlee.

Mantenga siempre este manual al alcance de todo el personal.

Puede obtener copias adicionales de este manual de manera gratuita, previa solicitud.

 y  **GREENLEE** son marcas registradas de Greenlee Textron.

CONSERVE ESTE MANUAL

Importante Información sobre Seguridad



SÍMBOLO DE ALERTA SOBRE SEGURIDAD

Este símbolo se utiliza para indicar un riesgo o práctica poco segura que podría ocasionar lesiones o daños materiales. Cada uno de los siguientes términos denota la gravedad del riesgo. El mensaje que sigue a dichos términos le indica cómo puede evitar o prevenir ese riesgo.

⚠ PELIGRO

Peligros inmediatos que, de no evitarse, OCASIONARÁN graves lesiones o incluso la muerte.

⚠ ADVERTENCIA

Peligros que, de no evitarse, PODRÍAN OCASIONAR graves lesiones o incluso la muerte.

⚠ PRECAUCIÓN

Peligro o prácticas peligrosas que, de no evitarse, PUEDEN OCASIONAR lesiones o daños materiales.



⚠ ADVERTENCIA

Lea y entienda este documento antes de manejar estas herramientas o darles mantenimiento. Utilizarlas sin comprender cómo manejarlas de manera segura podría ocasionar un accidente y, como resultado de éste, graves lesiones o incluso la muerte.



⚠ ADVERTENCIA

Peligro de electrocución:

El contacto con circuitos activados puede ocasionar graves lesiones o incluso la muerte.

Importante Información sobre Seguridad

▲ADVERTENCIA

Peligro de electrocución e incendio:

- No exponga esta unidad a la lluvia o humedad.
- Utilice esta unidad únicamente para el propósito para el cual fue fabricada, de acuerdo a lo descrito en este manual. El uso indebido puede menoscabar la protección que proporciona la unidad.

De no observarse estas advertencias pueden sufrirse graves lesiones e incluso la muerte.

▲ADVERTENCIA

Peligro de electrocución:

- No utilice esta unidad si se encuentra mojada o dañada.
- Utilice cables de prueba y accesorios que sean apropiados para la aplicación que se va a realizar. Consulte la información sobre categoría y voltaje nominal del cable de prueba o el accesorio.
- Revise minuciosamente los cables de prueba o el accesorio, antes de utilizarlos. Deberán estar limpios y secos, y su forro aislante deberá hallarse en buenas condiciones.

De no observarse estas advertencias pueden sufrirse graves lesiones o incluso la muerte.

▲ADVERTENCIA

Peligro de electrocución:

- No aplique más del voltaje nominal entre dos terminales de entrada cualesquiera, o entre una terminal de entrada cualquiera y una conexión a tierra.
- No toque las puntas de los cables de prueba ni ninguna parte del accesorio que carezca de forro aislante.

De no observarse estas advertencias pueden sufrirse graves lesiones o incluso la muerte.

▲ADVERTENCIA

- No haga funcionar estas unidades con la caja abierta.
- Antes de abrir la caja, retire del circuito los cables de prueba y apague el multímetro.

De no observarse estas advertencias pueden sufrirse graves lesiones o incluso la muerte.

Importante Información sobre Seguridad

⚠ ADVERTENCIA

El fusible es una parte integral para la protección contra sobretensión. Cuando sea necesario reemplazarlo, consulte la sección “Especificaciones” para saber qué tipo, tamaño y capacidad debe tener. Utilizar cualquier otro tipo de fusible anulará la clasificación de protección de sobretensión de la unidad.

De no observarse esta advertencia pueden sufrirse graves lesiones o incluso la muerte.

⚠ PRECAUCIÓN

No cambie la función de medición mientras los cables de prueba estén conectados a un componente o circuito.

De no observarse estas precauciones podrían sufrirse lesiones o daños a la unidad.

⚠ PRECAUCIÓN

- No intente reparar estas unidades, ya que contienen piezas que deben recibir mantenimiento por parte de un profesional.
- No exponga la unidad a ambientes de temperatura extrema ni a altos niveles de humedad. Véase la sección “Especificaciones” en este manual.

De no observarse estas precauciones podrían sufrirse lesiones o daños a las unidades.

IMPORTANTE

A menos que vaya a medir tensión, corriente o frecuencia, apague y bloquee la energía. Asegúrese de que todos los condensadores estén totalmente sin carga. No debe haber tensión alguna.

IMPORTANTE

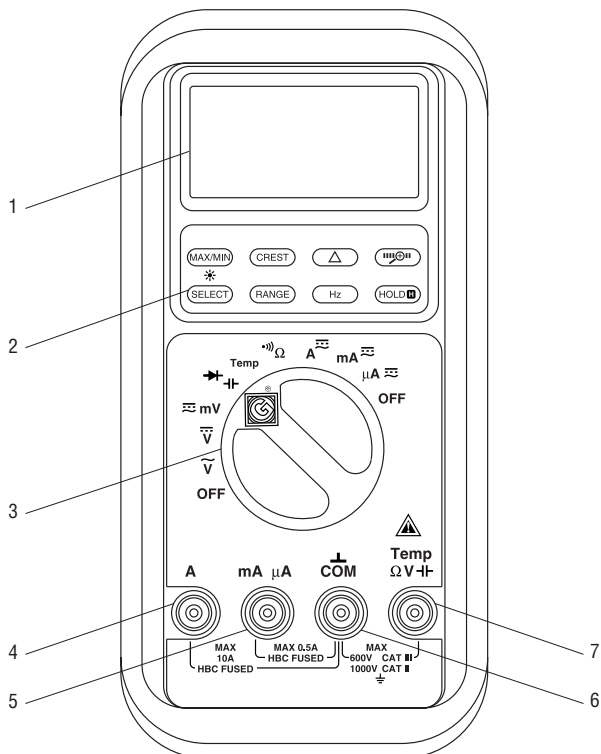
Coloque el interruptor de selección y conecte los cables de prueba de modo que correspondan al tipo de medición que se desea efectuar. Si se colocan o se conectan incorrectamente puede quemarse un fusible.

IMPORTANTE

Al utilizar estas unidades cerca de equipo que genere interferencia electromagnética quizá se obtenga una lectura inexacta e inestable.

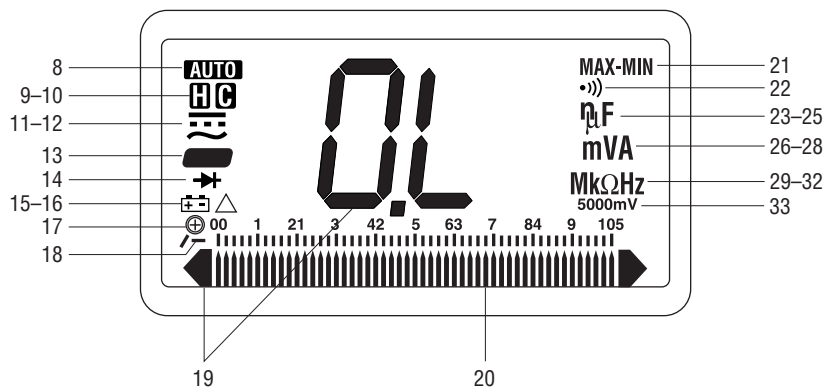
Identificación

- | | |
|-----------------------------|---|
| 1. Pantalla | de cristal líquido (LCD) y gráfico de barras |
| 2. Botones de funciones | Véase la explicación pertinente en la sección “Cómo utilizar las distintas funciones” |
| 3. Interruptor de selección | Selecciona una función o apaga (OFF) la unidad |
| 4. A | Terminal de entrada positiva para mediciones de corriente alta |
| 5. mA μ A | Terminal de entrada positiva para mediciones de corriente baja |
| 6. COM | Terminal de entrada negativa a tierra o común, para todo tipo de mediciones |
| 7. Ω V --- | Terminal de entrada positiva para todo tipo de mediciones <i>excepto</i> corriente |



Iconos de la pantalla

- | | | | |
|----------------|--|----------------|---|
| 8. AUTO | Se activa la selección automática de escala. | 20. | Elemento de gráfico de barras |
| 9. H | Se activa la función "Hold" (Retención de datos en pantalla). | 21. MAX MIN | Se activa el modo "MAX/MIN" (Valor máximo/mínimo) |
| 10. C | Se activa la función "Crest Capture" (Captura de valor de cresta). | 22. | Continuidad |
| 11. | Se selecciona medición de CC. | 23. n | Nano (10^{-9}) |
| 12. | Se selecciona medición de CA. | 24. μ | Micro (10^{-6}) |
| 13. | Indicador de polaridad | 25. F | Faradios |
| 14. | Diodo | 26. m | Mili (10^{-3}) |
| 15. | Pila baja | 27. V | Voltios |
| 16. Δ | Se activa la función de cero relativo. | 28. A | Amperios |
| 17. | Se magnifica el gráfico de barras para ofrecer una mayor resolución. | 29. M | Mega (10^6) |
| 18. | Polaridad para el gráfico de barras | 30. k | Kilo (10^3) |
| 19. OL | Indicación de superposición de gamas (numérica) | 31. Ω | Ohmios |
| | Indicador de sobretensión (gráfico de barras) | 32. Hz | Herzios (frecuencia en ciclos por segundo) |
| | | 33. (variable) | Nivel de sensibilidad para la función de Hz |



Cómo utilizar las distintas funciones

- **Apagado automático** A fin de prolongar la vida útil de la pila, el medidor se apagará por sí solo después de 17 minutos de inactividad. Para restaurar la energía, oprima cualquier botón. Para desactivar esta función, oprima el botón **“RANGE”** al tiempo que enciende la unidad.
- **“MAX/MIN” (modelo DM-820 únicamente)** Oprima momentáneamente para comenzar a grabar la entrada. Enseguida aparecerá **“MAX/MIN”** en la pantalla. El medidor emitirá un tono siempre que se actualice el valor mínimo o máximo. Al utilizar la función **“MAX/MIN”**, oprima momentáneamente ese botón para ciclar de máximo a mínimo y a diferencia (**MAX – MIN**). Oprima y mantenga oprimido el botón para salir de este modo.

La función de apagado automático se desactiva al utilizar esta función.

- **“CREST” (modelo DM-820 únicamente)** Oprima momentáneamente para capturar el valor cresta de tensión o corriente alterna o continua; **C** enseguida aparecerá la palabra **“MAX”** en la pantalla. El medidor capturará y retendrá una señal pico con una duración mínima de 5 ms. Oprima momentáneamente para ciclar de cresta máxima a cresta mínima y máxima –cresta mínima (pico a pico). Oprima y mantenga oprimido el botón para salir de este modo.


La función de apagado automático se desactiva al utilizar esta función.

- **“Δ” (modelo DM-820 únicamente)** Le brinda la diferencia entre dos mediciones. Mientras efectúa una medición, oprima **“Δ”** para poner la pantalla en ceros. Enseguida aparecerá el icono **“Δ”** en la pantalla. Efectúe la segunda medición. El valor que aparezca en la pantalla equivaldrá a la diferencia entre ambas mediciones. Oprima nuevamente para salir de este modo.
- **☉ (modelo DM-820 únicamente)** Oprima momentáneamente para cambiar la resolución del gráfico de barras.
- **☀** Oprima y mantenga oprimido hasta que la pantalla se ilumine. La luz se apagará después de 30 segundos a fin de preservar la vida útil de la pila.
- **“SELECT”** Oprima momentáneamente para pasar de una función a otra, o para pasar de CA a CC al efectuar mediciones de corriente y milivoltios.
- **“RANGE”** Oprima una vez para ingresar al modo de selección manual de escala. El icono **AUTO** desaparecerá de la pantalla. Oprima repetidamente para pasar de una escala a otra. Oprima y mantenga oprimida para volver al modo de selección automática de escala.

Nota: Cuando se estén utilizando los modos “MAX/MIN”, “HOLD” o “Δ”, si se oprime el botón “RANGE” el amperímetro saldrá del modo en cuestión.

- **“Hz”** Oprima para efectuar mediciones de frecuencia.

*Nota: La sensibilidad de la medición de frecuencia varía según la escala de medición. Para seleccionar automáticamente un nivel de sensibilidad, mida primero el nivel de tensión y enseguida oprima **“Hz”**. Si la lectura se torna inestable o si la pantalla está en blanco, cambie manualmente la sensibilidad oprimiendo momentáneamente **“RANGE”**.*

- **“HOLD”  (Retención de datos en pantalla)** Oprima momentáneamente para retener en pantalla el valor que aparece en ese momento. Oprima nuevamente para salir de este modo.

Esta función no afecta al gráfico de barras.

Medición de corriente alterna

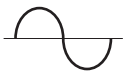
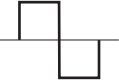
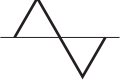

Las mediciones de corriente alterna generalmente se muestran como valores eficaces (*RMS o root mean squared*). Existen dos métodos de medición de corriente alterna: *calibrados para responder al valor eficaz medio* y *a una lectura de valores eficaces reales*.

El método calibrado para responder al valor eficaz medio toma el valor medio de la señal de entrada, la multiplica por 1,11 y muestra el resultado. El resultado es exacto si la señal de entrada es una onda sinusoidal pura. El modelo DM-800 de Greenlee es un multímetro que responde al valor medio.

El método de lectura de valores eficaces reales utiliza un circuito interno para leer el valor eficaz real. Este método es exacto, dentro de las limitaciones de factor de cresta especificadas, independientemente del tipo de señal de entrada, ya sea una onda sinusoidal pura, rectangular, en diente de sierra o señal con armónicas. La capacidad para leer valores eficaces reales brinda una mayor versatilidad de medición. Los modelos DM-810 y DM-820 de Greenlee son multímetros de valores eficaces reales.

La tabla de Formas de onda y Factores de cresta muestra algunas de las señales de CA y valores eficaces reales más comunes.

Formas de onda y Factores de cresta

Forma de onda				
Valor eficaz real	100	100	100	100
Valor medio	90	100	87	64
Factor de cresta* (ξ)	1,414	1	1,73	2

* El factor de cresta es el cociente de un valor máximo en relación con el valor eficaz; está representado por la letra griega ξ .

Operación



⚠️ ADVERTENCIA

Peligro de electrocución:

El contacto con circuitos activados puede ocasionar graves lesiones o incluso la muerte.

1. Consulte la Tabla de valores. Coloque el interruptor de selección en el valor apropiado, oprima **"SELECT"** (cuando se le pida que lo haga), y conecte los cables de prueba al medidor.
2. Consulte la sección "Mediciones más comunes" en relación con las instrucciones específicas para cada tipo de medición.
3. Pruebe la unidad en un circuito o componente que se sabe está funcionando perfectamente.
 - Si el multímetro no funciona como debería en un circuito que se sabe está funcionando perfectamente, reemplace la pila y/o los fusibles.
 - Si siguen sin funcionar como deberían, devuélvalas a Greenlee a fin de que sean reparadas.
4. Anote la lectura del circuito o componente que se está verificando.

Tabla de valores

Para medir este valor...	coloque el interruptor de selección en este símbolo ...	este icono aparecerá en la pantalla ...	conecte el cable de prueba rojo a...	y conecte el cable de prueba negro a ...
Capacitancia* (modelos DM-800 y DM-810)		F	ΩV	COM
Capacitancia* (modelo DM-820)	 	F	ΩV	COM
Continuidad**	 y oprima "SELECT"		ΩV	COM
Corriente (10 A máx.)	A	A	A	COM
Corriente (500 mA máx.)	mA	mA	μA mA	COM
Corriente (5000 μA máx.)	μA	μA	μA mA	COM
Diodo (modelos DM-800 y DM-810)		y V	ΩV	COM
Diodo (modelo DM-820)	 y oprima "SELECT"	y V	ΩV	COM
Frecuencia	 y oprima "Hz"	Hz	ΩV	COM
Resistencia***		Ω	ΩV	COM
Voltaje (1.000V máx.)		\sim y V	ΩV	COM
	 	\equiv y V		
Voltaje (500 mV máx.)	mV	mV	ΩV	COM
Temperatura (modelo DM-820 únicamente)	Temp	C o F (oprime "SELECT" para cambiar de escala)	Temp ΩV	COM

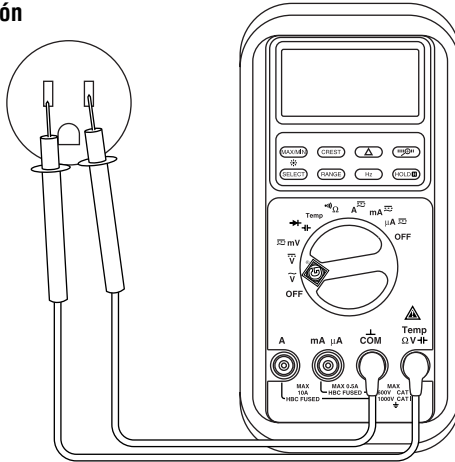
* Descargue el condensador antes de efectuar una medición. Descargue los condensadores grandes por medio de una carga resistiva adecuada.

** El tono es señal de continuidad. El umbral está entre 20 Ω y 200 Ω .

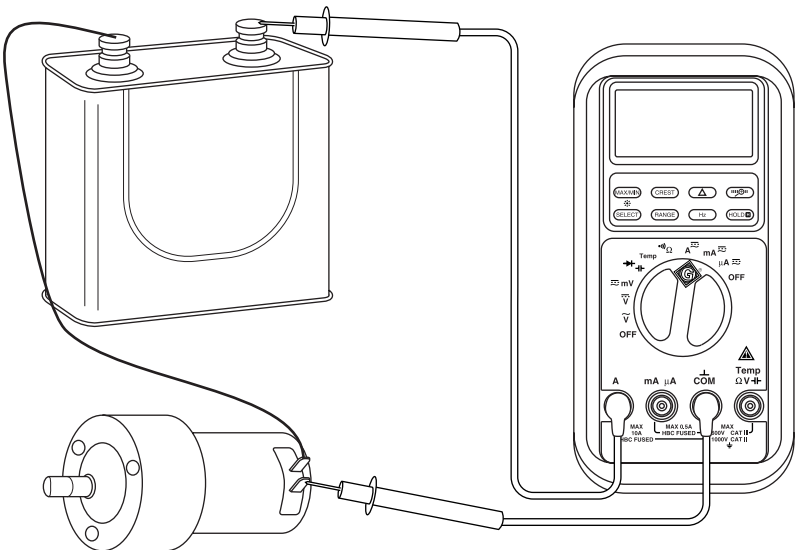
*** Para efectuar mediciones precisas de resistencia, comience en el modo de selección automática de escala y oprima "RANGE" dos veces. Cuando en la pantalla del medidor aparezca "Shrt", establezca un corto entre ambos cables de prueba hasta que el medidor dé una lectura de "0". Enseguida, el medidor compensará la resistencia de los cables de prueba y los circuitos de protección interna, permitiendo mediciones de resistencia muy precisas. Si cambia de escala o función, o si vuelve al modo de selección automática de escala repondrá el multímetro en su estado inicial.

Mediciones más comunes

Medición de tensión

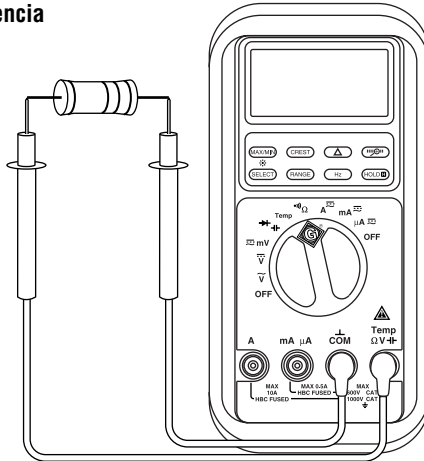


Medición de corriente

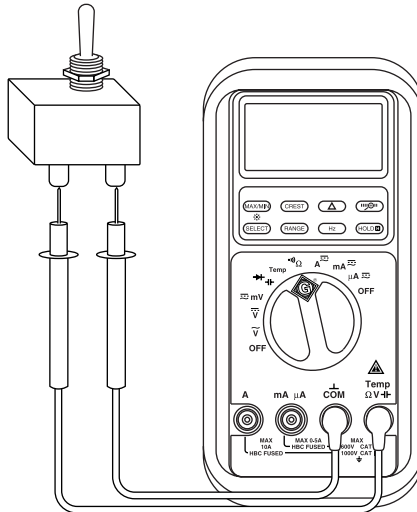


Mediciones más comunes

Medición de resistencia

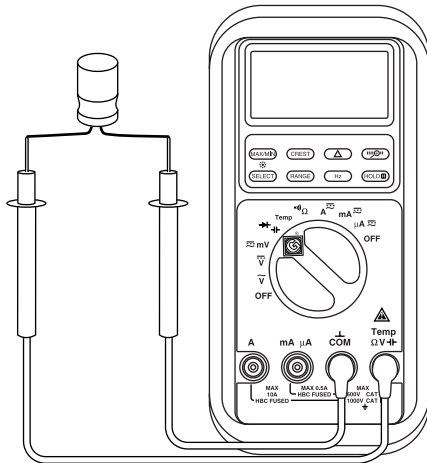


Verificación de continuidad



Mediciones más comunes

Medición de capacitancia

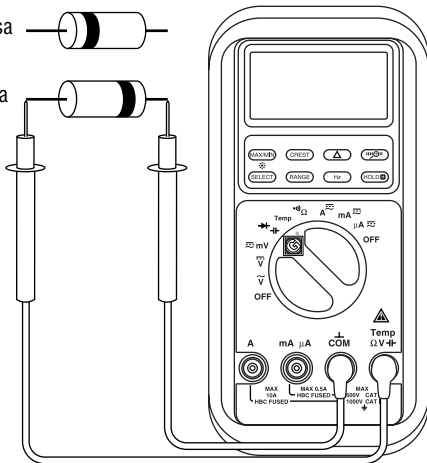


Verificación de diodo

Polarización inversa

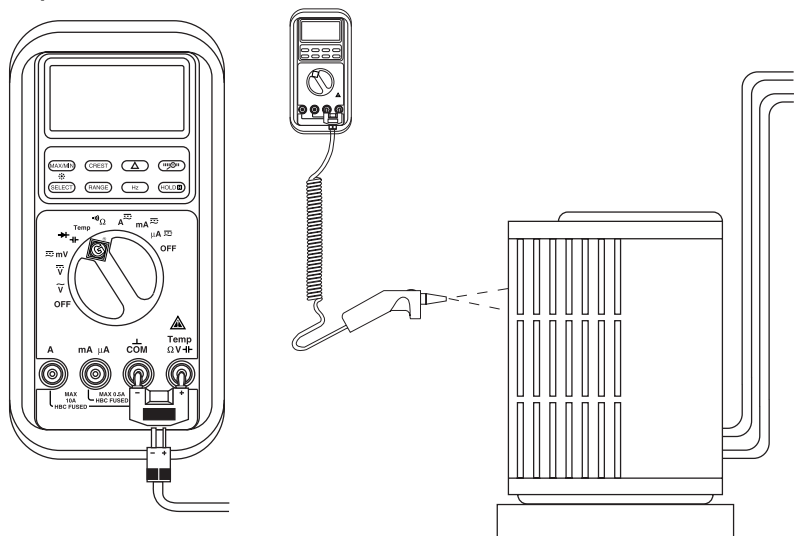


Polarización directa



Mediciones más comunes

Temperatura



Precisión

Consulte la sección “Especificaciones” en relación con las condiciones de operación y el coeficiente de temperatura.

La precisión se especifica de la siguiente manera: \pm (un porcentaje de la lectura + una cantidad fija) a $23^{\circ}\text{C} \pm 5^{\circ}\text{C}$ ($73,4^{\circ}\text{F} \pm 9^{\circ}\text{F}$), 0% a 75% de humedad relativa.

Lecturas de valores eficaces reales: La precisión para los modelos DM-810 y DM-820 CA está especificada desde un 5% a 100% de la escala, a menos que se especifique algo distinto. La frecuencia debe hallarse dentro del ancho de banda especificado para formas de onda no sinusoidal. Los factores de cresta son los siguientes:

- Factor de cresta < 3:1 a plena escala
- Factor de cresta < 6:1 a escala media

Corriente (CA)

Escala	Precisión a 50 Hz a 60 Hz	Precisión a 40 Hz a 1 kHz
499,9 μA	$\pm (0,6\% + 0,3 \mu\text{A})$	$\pm (0,8\% + 0,4 \mu\text{A})$
4.999 μA	$\pm (0,6\% + 3 \mu\text{A})$	$\pm (0,8\% + 4 \mu\text{A})$
49,99 mA	$\pm (0,6\% + 0,03 \text{ mA})$	$\pm (0,8\% + 0,04 \text{ mA})$
499,9 mA	$\pm (1,0\% + 0,3 \text{ mA})$	$\pm (1,0\% + 0,4 \text{ mA})$
4,999 A	$\pm (0,6\% + 0,003 \text{ A})$	$\pm (0,8\% + 0,004 \text{ A})$
10,00 A*	$\pm (0,6\% + 0,03 \text{ A})$	$\pm (0,8\% + 0,04 \text{ A})$

* 10 A continuos; 20 A máximo (Régimen de trabajo: 30 segundos encendido, 5 minutos apagado)

Corriente (CC)

Escala	Precisión
499,9 μA	$\pm (0,2\% + 0,4 \mu\text{A})$
4.999 μA	$\pm (0,2\% + 4 \mu\text{A})$
49,99 mA	$\pm (0,2\% + 0,04 \text{ mA})$

Escala	Precisión
499,9 mA	$\pm (0,2\% + 0,4 \text{ mA})$
4,999 A	$\pm (0,2\% + 0,004 \text{ A})$
10,00 A*	$\pm (0,2\% + 0,04 \text{ A})$

* 10 A continuos; 20 A máximo (Régimen de trabajo: 30 segundos encendido, 5 minutos apagado)

Precisión (continuación)

Tensión CA

Escala	Precisión a 50 Hz a 60 Hz	Precisión a 40 Hz a 500 Hz	Precisión a 500 Hz a 20 kHz	Impedancia de entrada
49,99 mV	$\pm (0,5\% + 0,03 \text{ mV})$	$\pm (0,8\% + 0,03 \text{ mV})$	0,5 dB*	10 M Ω , 44 pF nominal
499,9 mV	$\pm (0,5\% + 0,3 \text{ mV})$	$\pm (0,8\% + 0,3 \text{ mV})$	0,5 dB*	
4,999V	$\pm (0,5\% + 0,003V)$	$\pm (1,0\% + 0,004V)$	3 dB*	10 M Ω , 16 pF nominal
49,99V	$\pm (0,5\% + 0,03V)$	$\pm (1,0\% + 0,04V)$	3 dB*	
499,9V	$\pm (0,5\% + 0,3V)$	$\pm (1,0\% + 0,4V)$	3 dB*	
1.000V	$\pm (0,5\% + 3V)$	$\pm (1,2\% + 4V)$	no especificada	

* Está especificada desde un 30% a 100% de la escala

Tensión CC

Escala	Precisión	Impedancia de entrada
49,99 mV	$\pm (0,12\% + 0,02 \text{ mV})$	10 M Ω , 44 pF nominal
499,9 mV	$\pm (0,06\% + 0,2 \text{ mV})$	
4,999V	$\pm (0,08\% + 0,002V)$	10 M Ω , 16 pF nominal
49,99V	$\pm (0,08\% + 0,02V)$	
499,9V	$\pm (0,08\% + 0,2V)$	
1.000V	$\pm (0,08\% + 2V)$	

Precisión (continuación)

Frecuencia

Función	Sensitividad (sinusoidal, valores eficaces)	Escala
500 mV	300 mV	10 Hz a 125 kHz
5V	2V	10 Hz a 125 kHz
50V	20V	10 Hz a 20 kHz
500V	80V	10 Hz a 1 kHz
1.000V	300V	10 Hz a 125 kHz
Ohmios, capacitancia, diodo	300 mV	10 Hz a 1 kHz
Corriente	10% de plena escala	10 Hz a 125 kHz

Precisión de las escalas de frecuencias

Escala en la pantalla	Precisión
99,99 Hz	$\pm (0,01\% + 0,02 \text{ Hz})$
999,9 Hz	$\pm (0,01\% + 0,2 \text{ Hz})$
9,999 kHz	$\pm (0,01\% + 0,002 \text{ kHz})$
99,99 kHz	$\pm (0,01\% + 0,02 \text{ kHz})$
125,0 kHz	$\pm (0,01\% + 0,2 \text{ kHz})$

Precisión (continuación)

Resistencia

Escala	Precisión	Voltaje de circuito abierto
49,99 Ω	$\pm (0,2\% + 0,06 \Omega)$	< 3V CC
499,9 Ω	$\pm (0,1\% + 0,3 \Omega)$	
4,999 k Ω	$\pm (0,1\% + 0,002 \text{ k}\Omega)$	< 1,3V CC
49,99 k Ω	$\pm (0,1\% + 0,02 \text{ k}\Omega)$	
499,9 k Ω	$\pm (0,1\% + 0,2 \text{ k}\Omega)$	
4,999 M Ω	$\pm (0,4\% + 0,003 \text{ M}\Omega)$	
50,00 M Ω	$\pm (1,5\% + 0,05 \text{ M}\Omega)$	

Capacitancia

Escala	Precisión
49,99 nF	$\pm (0,8\% + 0,03 \text{ nF})$
499,9 nF	$\pm (0,8\% + 0,3 \text{ nF})$
4,999 μF	$\pm (1,0\% + 0,003 \mu\text{F})$

Escala	Precisión
49,99 μF	$\pm (2,0\% + 0,03 \mu\text{F})$
499,9 μF	$\pm (3,5\% + 0,5 \mu\text{F})$
9.999 μF	$\pm (5,0\% + 5 \mu\text{F})$

Notas: Estas precisiones son para los condensadores de película (condensadores con absorción dieléctrica inapreciable). Las mediciones de condensadores más grandes pueden requerir hasta 30 segundos.

Temperatura (modelo DM-820 únicamente)

Escala: -50°C a 1.000°C

Precisión: $\pm (0,3\% + 3^{\circ}\text{C})$

Nota: La información sobre precisión aplica únicamente al multímetro; para saber la precisión de la sonda termosensible (vendida por separado), consulte la hoja de información con ella suministrada.

Verificación de diodo

Escala de medición: 2,000V

Corriente de prueba (Típica): 0,8 mA

Voltaje de circuito abierto: Menos de 3,5V CC

Precisión: $\pm (1\% + 0,001\text{V})$

Continuidad

Umbral de tono: entre 20 Ω y 200 Ω .

Tiempo de respuesta: Menos de 100 μs

Captura de cresta (tensión y corriente) para valores de cresta de ≥ 5 ms de duración

Precisión: precisión especificada ± 150 dígitos

Especificaciones

Pantalla: cristal líquido (LCD) (5.000) y gráfico de barras de 52 segmentos

Polaridad: automática

Frecuencia de muestreo:

Pantalla numérica: 5 por segundo

Pantalla de gráfico de barras: 60 por segundo

Coefficiente de temperatura: nominal 0,15 x (precisión especificada) por °C
menor de 18°C o mayor de 28°C

Apagado automático: Después de 17 minutos de inactividad

Para desactivar esta función oprima el botón "RANGE" al tiempo que enciende la unidad.

Supresión de ruido*:

Factor de supresión en modo normal > 60 dB a 50 Hz y 60 Hz al efectuar mediciones de V CC

Factor de supresión en modo común > 60 dB de 0 Hz a 60 Hz al efectuar mediciones de V CA

Factor de supresión en modo común > 120 dB a 0 Hz, 50 Hz y 60 Hz al efectuar mediciones de V CC

Condiciones de operación:

0°C a 35°C (32°F a 95°F), 0% a 80% de humedad relativa (sin condensación)

35°C a 40°C (95°F a 104°F), 0% a 70% de humedad relativa (sin condensación)

Altura: 2.000 m (6.500 pies) máximo

Para uso en interiores solamente.

Condiciones de almacenamiento: -20°C a 60°C (-4°F a 140°F)

0% a 80% de humedad relativa (sin condensación)

Retire la pila.

Pila: Pila de 9 voltios (NEDA 1604, JIS 006P o IEC 6F22)

Grado de contaminación: 2

Protecciones contra sobrecarga:

Voltios: 1.050V eficaces, 1.450V pico

Milivoltios: 1.050V eficaces, 1.450V pico

A: 15 A/1.000V tipo de fusible, condiciones de corte 10 kA, 13/32 pulg. x 1-1/2 pulg.

mA y mA: 1 A/600V tipo de fusible, condiciones de corte 100 kA, 13/32 pulg. x 1-1/2 pulg.

Otras funciones: 1.050V eficaces, 1.450V pico

Especificaciones (continuación)

Categorías de sobretensión:

Modelo DM-800:

Ω Terminal V-IT: Categoría III, 600V CA y 600V CC; Categoría II, 1.000V CA y 1.000V CC

Terminal μA y mA: Categoría III, 240V CA y 150V CC

A Terminal: Categoría III, 240V CA y 150V CC

Modelos DM-810 y DM-820: Cumple con los requisitos de doble forro aislante de IEC 61010-1 (1995), EN61010-1 (1995), UL3111-1 (6.1994), CSA C22.2 NO. 1010-1-92 y borrador de la segunda edición de IEC 61010-1 (1999) para los terminales:

Ω Terminal V-IT: Categoría III 1000 voltios CA y CC, y Categoría IV 600 voltios CA y CC

A Terminal: Categoría III 1000 voltios CA y CC, y Categoría IV 600 voltios CA y CC

Terminal μA y mA: Categoría III y Categoría IV 600 voltios CA y 300 voltios CC

* Supresión del ruido es la capacidad de suprimir señales o ruido indeseados.

- *Tensiones de modo normal* son señales de CA que pueden ocasionar mediciones inexactas de CC. NMRR (Normal Mode Rejection Ratio o Factor de supresión en modo normal) es una medición de la capacidad para filtrar estas señales.
- *Tensiones de modo común* son señales presentes en las terminales de entrada + y COM, con respecto a la conexión a tierra, que pueden causar alteraciones de dígitos o compensaciones en las mediciones de tensión. CMRR (Common Mode Rejection Ratio o Factor de supresión en modo común) es una medición de la capacidad para filtrar estas señales.

Categoría de Instalación de Sobretensión de acuerdo a IEC1010

Sobretensión Categoría I

El Equipo de Sobretensión Categoría I es equipo para la conexión de circuitos en los cuales se realizan mediciones para limitar las sobretensiones momentáneas a un nivel bajo apropiado.

Aviso: Ejemplos incluyen circuitos electrónicos protegidos.

Sobretensión Categoría II

El Equipo de Sobretensión Categoría II es equipo de consumo de energía suministrada desde una instalación fija.

Aviso: Ejemplos incluyen electrodomésticos para el hogar, oficinas y laboratorios.

Sobretensión Categoría III

El Equipo de Sobretensión Categoría III es equipo utilizado en instalaciones fijas.

Aviso: Ejemplos incluyen interruptores en la instalación fija y algunos equipos de uso industrial con conexión permanente a la instalación fija.

Sobretensión Categoría IV

El Equipo de Sobretensión Categoría IV es equipo utilizado al comienzo de la instalación.

Aviso: Ejemplos incluyen contadores de electricidad y equipo primario para protección de sobretensión.

Cómo reemplazar la pila y el fusible

▲ADVERTENCIA

Antes de abrir la caja, retire del circuito los cables de prueba y apague la unidad.

De no observarse esta advertencia pueden sufrirse graves lesiones o incluso la muerte.

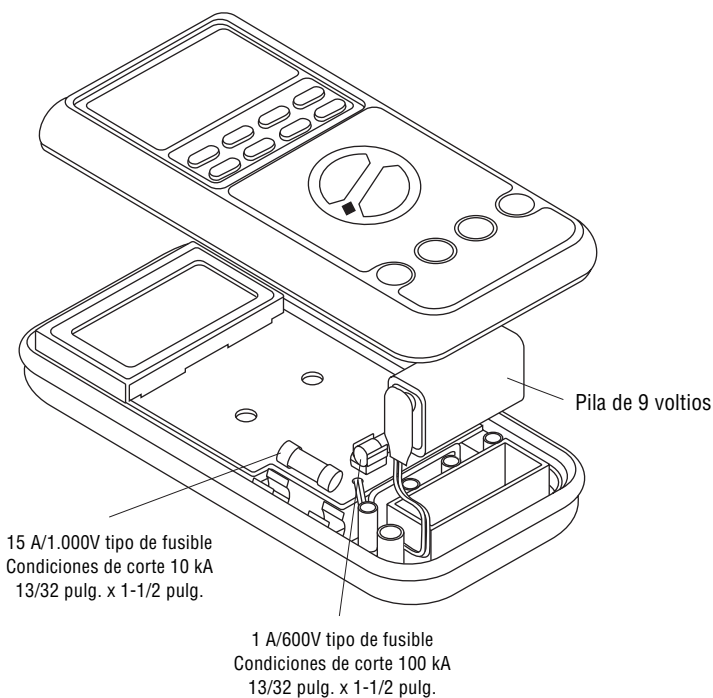
▲ADVERTENCIA

El fusible es una parte integral para la protección contra sobretensión. Cuando sea necesario reemplazarlo, consulte la sección “Especificaciones” para saber qué tipo, tamaño y capacidad debe tener. Utilizar cualquier otro tipo de fusible anulará la clasificación de protección de sobretensión de la unidad.

De no observarse esta advertencia pueden sufrirse graves lesiones o incluso la muerte.

1. Desconecte la unidad del circuito. Apague la unidad.
2. Retire los cuatro tornillos de la tapa posterior.
3. Retire la tapa posterior.
4. Reemplace la pila (fíjese en la polaridad) y/o el (los) fusible(s).
5. Alinee las dos secciones de la unidad y la junta de caucho.
6. Asegúrese de que el interruptor de selección está en la posición original de modo que esté bien alineado con el interruptor interno.
7. Vuelva a colocar la tapa y los tornillos.

Cómo reemplazar la pila y el fusible (continuación)



Limpieza

Periódicamente limpie el estuche con un paño húmedo y detergente suave; no utilice abrasivos o solventes.

Description

Les multimètres numériques DM-800, DM-810 et DM-820 de Greenlee sont des appareils de vérification portables, capables d'effectuer les mesures suivantes : tension c.a. et c.c., courant c.a. et c.c., température (thermocouples de type K uniquement), fréquence, résistance et capacité. Ils contrôlent aussi les diodes et vérifient la continuité.

Leurs fonctions et capacités spécialisées comprennent :

- Fonction MAX/MIN, qui garde en mémoire le maximum, le minimum et la différence (maximum-minimum)
- Affichage à barres graphiques, qui répond plus rapidement que l'affichage numérique — utile pour détecter les contacts défectueux, les clicks de potentiomètres et les brusques variations de signal
- Mode de saisie de crête permettant de saisir les signaux de crête de tension ou de courant
- Pointeur analogue avec zoom, qui agrandit le graphique à barres pour offrir une meilleure résolution

Sécurité



Lors de l'utilisation et de l'entretien des outils et des équipements de Greenlee, votre sécurité est une priorité. Ce manuel d'instructions et toute étiquette sur l'outil fournit des informations permettant d'éviter des dangers ou des manipulations dangereuses liées à l'utilisation de cet outil. Suivre toutes les consignes de sécurité indiquées.

Dessein

Ce manuel d'instructions est conçu pour que le personnel puisse se familiariser avec le fonctionnement et les procédures d'entretien sûres des multimètres numériques DM-800, DM-810 et DM-820 de Greenlee.

Mettre ce manuel à la disposition de tous les employés.

On peut obtenir des exemplaires gratuits sur simple demande.

 et  **GREENLEE** sont des marques déposées de Greenlee Textron.

CONSERVER CE MANUEL

Consignes de sécurité importantes



SYMBOLE D'AVERTISSEMENT

Ce symbole met en garde contre les risques et les manipulations dangereuses pouvant entraîner des blessures ou l'endommagement du matériel. Le mot indicateur, défini ci-dessous, indique la gravité du danger. Le message qui suit le mot indicateur indique comment empêcher le danger.

⚠ DANGER

Danger immédiat qui, s'il n'est pas pris en considération ENTRAINERA des blessures graves, voire mortelles.

⚠ AVERTISSEMENT

Danger qui, s'il n'est pas pris en considération, POURRAIT entraîner des blessures graves, voire mortelles.

⚠ ATTENTION

Dangers ou manipulations dangereuses qui, s'ils ne sont pas pris en considération, POURRAIENT EVENTUELLEMENT entraîner des dommages à la propriété ou causer des blessures.



⚠ AVERTISSEMENT

Lire attentivement et bien comprendre cette documentation avant d'utiliser ou de procéder à l'entretien de cet équipement. Négliger de comprendre comment utiliser cet outil en toute sécurité, peut provoquer un accident et entraîner des blessures graves, voire mortelles.



⚠ AVERTISSEMENT

Risques de décharge électrique :
Un contact avec des circuits sous tension peut entraîner des blessures graves, voire mortelles.

Consignes de sécurité importantes

⚠ AVERTISSEMENT

Risques de décharge électrique et d'incendie ;

- Ne pas exposer cet appareil à la pluie ou à l'humidité.
- Utiliser cet appareil uniquement dans le but pour lequel il a été conçu tel que décrit dans ce manuel. Toute autre utilisation peut altérer le système de protection de l'appareil.

L'inobservation de ces consignes peut entraîner des blessures graves, voire mortelles.

⚠ AVERTISSEMENT

Risques de décharge électrique :

- Ne pas utiliser cet appareil s'il est mouillé ou endommagé.
- Utiliser des fils d'essai ou des accessoires conformes à l'application. Consulter la catégorie et la tension nominale du fil d'essai ou de l'accessoire.
- Vérifier les fils d'essai ou l'accessoire avant de les utiliser. La pièce (ou les pièces) doit(vent) être propre(s) et sèche(s) et l'isolation en bon état.

L'inobservation de ces consignes peut entraîner des blessures graves, voire mortelles.

⚠ AVERTISSEMENT

Risques de décharge électrique :

- Ne pas appliquer plus que la tension nominale entre deux bornes d'entrée, ou entre une borne d'entrée et une prise de terre.
- Ne pas entrer en contact avec les extrémités des fils d'essai ou avec toute autre partie non isolée de l'accessoire.

L'inobservation de ces consignes peut entraîner des blessures graves, voire mortelles.

⚠ AVERTISSEMENT

- Ne pas utiliser lorsque le boîtier est ouvert.
- Avant d'ouvrir le boîtier, retirer les fils d'essai du circuit et mettre l'appareil hors tension.

L'inobservation de ces consignes peut entraîner des blessures graves, voire mortelles.

Consignes de sécurité importantes

⚠ AVERTISSEMENT

Le fusible est une partie intégrante du système de protection de surtension. Lorsqu'un remplacement du fusible s'avère nécessaire, consulter les spécifications pour connaître le type, la taille et la capacité requis. L'utilisation de tout autre type de fusible annule le calibrage de protection de surtension de l'appareil.

L'inobservation de cette consigne peut entraîner des blessures graves, voire mortelles.

⚠ ATTENTION

Ne pas modifier la fonction de mesure pendant que les fils d'essai sont connectés à un composant ou à un circuit.

L'inobservation de cette consigne peut endommager l'appareil et entraîner des blessures.

⚠ ATTENTION

- Ne pas tenter de réparer cet appareil. Il ne comporte aucune pièce pouvant être réparée.
- Ne pas exposer l'appareil à des températures extrêmes ou à une humidité excessive. Voir les spécifications.

L'inobservation de ces consignes peut endommager l'appareil et entraîner des blessures.

IMPORTANT

Sauf si l'on mesure la tension, le courant ou la fréquence, mettre hors tension et couper la source d'alimentation. S'assurer que tous les condensateurs sont déchargés. Aucune tension ne doit être présente.

IMPORTANT

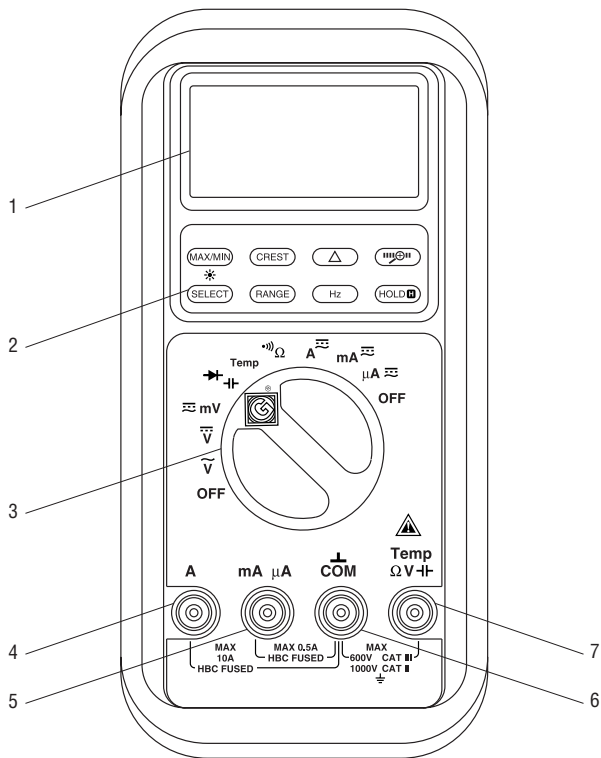
Régler le sélecteur et connecter les fils d'essai pour qu'ils correspondent à la mesure voulue. Des réglages ou des connexions incorrects peuvent faire sauter les fusibles.

IMPORTANT

L'utilisation de cet appareil à proximité d'équipements qui génèrent des interférences électromagnétiques peut produire des lectures instables ou erronées.

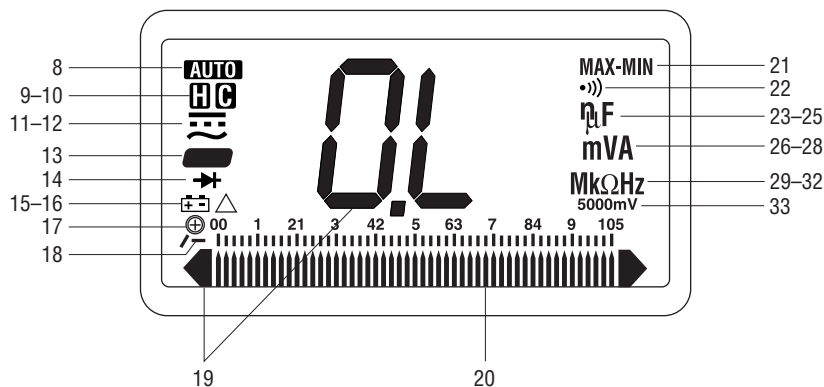
Identification

1. Affichage LCD et graphique à barres
2. Boutons des fonctions
Consulter les explications de la section Utilisation des caractéristiques
3. Sélecteur Sélectionne une fonction ou met hors tension (OFF)
4. **A** Borne d'entrée positive pour des mesures de courant élevé
5. **mA** **μA** Borne d'entrée positive pour des mesures de courant bas
6. **COM** Borne d'entrée négative, commune ou reliée à la terre, pour toutes les mesures
7. **ΩV** **V** **⎓** Borne d'entrée positive pour toutes les mesures *sauf* le courant



Icônes de l'afficheur


- | | | | |
|--------------------------|--|-----------------------------|--|
| 8. AUTO | Mesure automatique de plage activée. | 22. •))) | Continuité |
| 9. H | Fonction de garde activée. | 23. n | Nano (10^{-9}) |
| 10. C | Fonction de saisie de crête activée. | 24. μ | mA (10^{-6}) |
| 11. ≡ | Mesure du c.c. sélectionnée. | 25. F | Farads |
| 12. ~ | Mesure du c.a. sélectionnée. | 26. m | mA (10^{-3}) |
| 13. - | Indicateur de polarité | 27. V | Volts |
| 14. → | Diode | 28. A | Ampères |
| 15. +
- | Pile faible ou déchargée | 29. M | Méga (10^6) |
| 16. Δ | Fonction de zéro relatif activée. | 30. k | Kilo (10^3) |
| 17. ⊕ | Graphique à barres agrandi pour une plus haute résolution. | 31. Ω | Ohms |
| 18. - | Polarité pour le graphique à barres | 32. Hz | Hertz (fréquence ou cycles par seconde) |
| 19. OL | Surcharge (affichage numérique) | 33. (variable) | Niveau de sensibilité caractéristique Hz |
| ◀▶ | Surcharge (affichage en graphique à barres) | | |
| 20. █ | Élément de graphique à barres | | |
| 21. MAX MIN | Mode MAX/MIN activé | | |





Utilisation des caractéristiques

- **Mise hors tension automatique** Afin de prolonger la durée de vie utile de la pile, le compteur s'éteint automatiquement après environ 17 minutes d'inactivité. Pour remettre sous tension, appuyer sur n'importe quel bouton. Pour désactiver cette fonction, appuyer sur **RANGE** pendant que le compteur est mis sous tension.
- **MAX/MIN (DM-820 uniquement)** Appuyer quelques secondes pour commencer l'enregistrement de l'entrée. MAX MIN apparaît sur l'afficheur. Le compteur émet un bip à chaque mise à jour du minimum ou du maximum. Lors de l'utilisation de la fonction MAX/MIN, appuyer quelques secondes pour cycler à travers le maximum, le minimum, la différence (MAX - MIN). Appuyer et maintenir pour sortir de ce mode.

La fonction de mise hors tension automatique est désactivée lorsque cette fonction est utilisée.

- **CRÊTE (DM-820 uniquement)** Appuyer quelques secondes pour saisir les crêtes de tension ou de courant c.a. ou c.c.  et MAX apparaît sur l'afficheur. Le compteur saisit et maintient une crête de signal pendant une durée aussi courte que 5 ms. Appuyer quelques secondes pour cycler à travers la crête maximum, la crête minimum et la crête maximum – minimum (de crête à crête). Appuyer et maintenir pour sortir de ce mode.


La fonction de mise hors tension automatique est désactivée lorsque cette fonction est utilisée.

- Δ **(DM-820 uniquement)** Calcule la différence entre les deux mesures. Pendant la mesure, appuyer sur Δ pour régler l'afficheur sur zéro. L'icône Δ apparaît sur l'écran. Prendre la deuxième mesure. La valeur affichée à l'écran représente la différence entre les deux mesures. Appuyer encore pour sortir de ce mode.
-  **(DM-820 uniquement)** Appuyer quelques secondes pour modifier la résolution de graphique à barres.
-  Appuyer sur et maintenir jusqu'à ce que l'afficheur à cristaux liquides s'illumine. La lampe s'éteint après 30 secondes pour conserver la pile.
- **SELECT** Appuyer quelques secondes pour passer d'une fonction à l'autre, ou de c.a. à c.c. lors de la mesure du courant et des millivolts.
- **RANGE** Appuyer une fois pour passer en mode de plage manuel. L'icône **AUTO** apparaît sur l'afficheur. Appuyer plusieurs fois pour faire défiler les plages. Appuyer et maintenir pour revenir au mode de sélection automatique de plage.

*Remarque : Lors de l'utilisation du mode MAX/MIN, HOLD, ou Δ , appuyer **RANGE** annule ce mode.*

- **Hz** Appuyer pour mesurer la fréquence.

*Remarque : La sensibilité de la fonction de mesure de fréquence varie selon la plage de mesure. Pour sélectionner automatiquement un degré de sensibilité, il faut d'abord mesurer la tension puis appuyer sur **Hz**. Si la lecture devient instable, ou si l'afficheur est vide, modifier manuellement la sensibilité en appuyant quelques secondes sur **RANGE**.*

- **HOLD**  Appuyer quelques secondes pour maintenir la valeur en cours sur l'afficheur. Appuyer encore pour sortir de ce mode.

Cette fonction n'influence pas le graphique à barres.

Mesure du c.a.





Les mesures du c.a sont normalement affichées en valeurs RMS (*moyenne quadratique*). Les deux méthodes de mesure du c.a sont *calibrées pour une réponse RMS moyenne et pour une lecture RMS véritable*.

La méthode calibrée pour une réponse RMS moyenne prend la valeur moyenne du signal d'entrée, la multiplie par 1,11 et affiche le résultat. Cette méthode est précise dans la mesure où le signal d'entrée est une onde sinusoïdale pure. Le Greenlee DM-800 mesure la réponse moyenne.

La méthode de lecture RMS véritable utilise les circuits internes pour lire la valeur RMS véritable. Cette méthode est précise dans les limites du facteur de crête spécifiées, que le signal soit une onde pure, une onde carrée, une onde en dent de scie, une demi-onde ou un signal comportant des harmoniques. La capacité de lire le RMS véritable rend la mesure beaucoup plus polyvalente. Le Greenlee DM-810 et le DM-820 lisent la valeur RMS véritable.

Le tableau des formes d'ondes et des facteurs de crête montre quelques signaux c.a. types et leurs valeurs RMS.

Formes d'ondes et facteurs de crêtes

Forme d'onde				
Valeur RMS	100	100	100	100
Valeur moyenne	90	100	87	64
Facteur de crête* (ξ)	1,414	1	1,73	2

* Le facteur de crête est le ratio de la valeur de crête par rapport à la valeur RMS ; il est représenté par la lettre grecque ξ .

Utilisation



⚠️ AVERTISSEMENT

Risques de décharge électrique :

Un contact avec des circuits sous tension peut entraîner des blessures graves, voire mortelles.

1. Se reporter au tableau des réglages. Régler le sélecteur de façon appropriée, appuyer sur **SELECT** (lorsque l'instruction en est donnée) et connecter les fils d'essai au compteur.
2. Se reporter aux mesures types pour des instructions de mesure spécifiques.
3. Vérifier l'appareil sur un circuit ou sur un composant connu.
 - Si l'appareil ne fonctionne pas comme prévu sur un circuit dont le fonctionnement est connu, remplacer la pile et/ou les fusibles.
 - Si l'appareil ne fonctionne toujours pas comme prévu, le renvoyer à Greenlee pour qu'il soit réparé.
4. Lire le circuit ou le composant à vérifier.

Tableau des réglages

Pour mesurer cette valeur ...	régler le sélecteur à ce symbole ...	cette icône va apparaître sur l'écran ...	connecter le fil rouge à...	et connecter le fil noir à ...
Capacité* (DM-800 et DM-810)		F	ΩV	COM
Capacité* (DM-820)	 	F	ΩV	COM
Continuité**	Ω et appuyer sur SELECT		ΩV	COM
Courant (10 A max.)	A	A	A	COM
Courant (500 mA max.)	mA	mA	μA mA	COM
Courant (5 000 μA max.)	μA	μA	μA mA	COM
Diode (DM-800 et DM-810)		et V	ΩV	COM
Diode (DM-820)	 et appuyer sur SELECT	et V	ΩV	COM
Fréquence	 V et appuyer sur Hz	Hz	ΩV	COM
Résistance***	Ω	Ω	ΩV	COM
Tension (1 000 V max.)	 V	et V	ΩV	COM
	 V	et V		
Tension (500 mV max.)	mV	mV	ΩV	COM
Température (DM-820 uniquement)	Temp	C ou F (appuyer sur SELECT pour modifier l'échelle)	Temp ΩV	COM

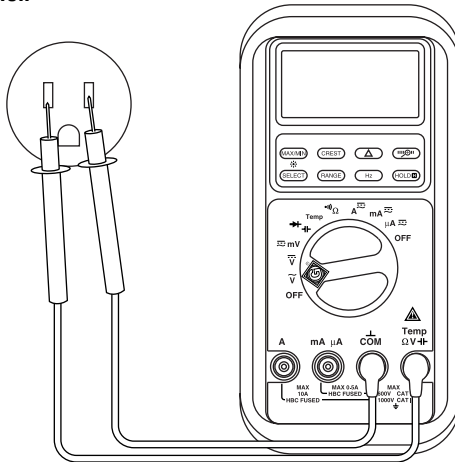
* Décharger les condensateurs avant la prise de mesure. Décharger un grand condensateur à l'aide d'une charge résistive appropriée.

** La tonalité indique la continuité. Le seuil se situe entre 20 Ω et 200 Ω .

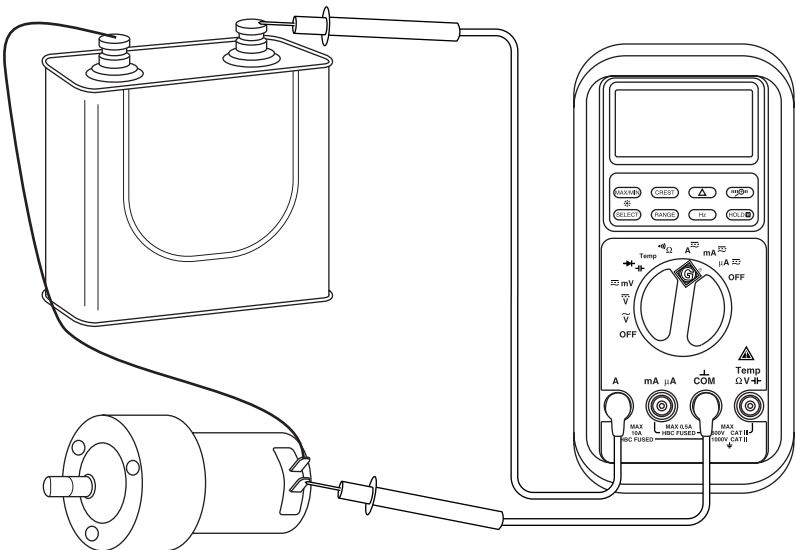
*** Pour des mesures précises de la résistance, commencer en mode de sélection automatique de plage et appuyer deux fois sur **RANGE**. Lorsque le compteur affiche « Shrt », court-circuiter ensemble les fils d'essai jusqu'à ce qu'il affiche « 0 ». Le compteur va compenser pour la résistance des fils d'essai et des circuits de protection interne et permettre ainsi une mesure très précise de la résistance. Une modification des plages, des fonctions ou un retour au mode de sélection automatique de plage va remettre le compteur à zéro.

Mesures types

Mesure de la tension

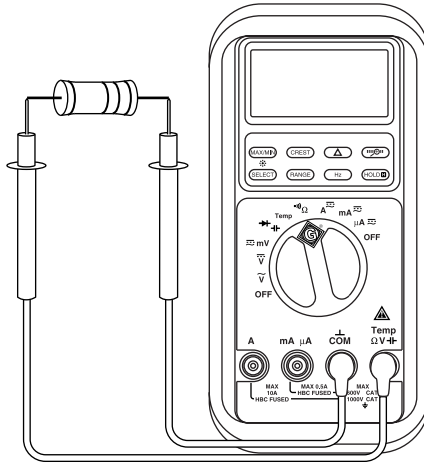


Mesure du courant

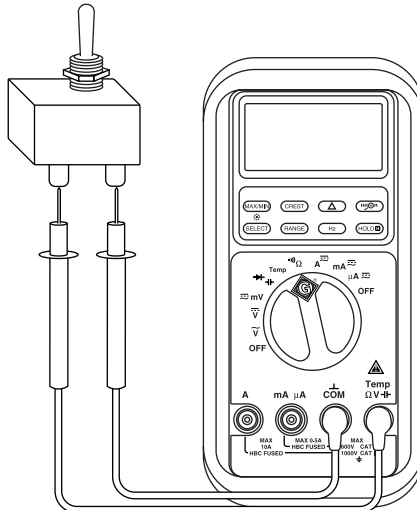


Mesures types

Mesure de la résistance

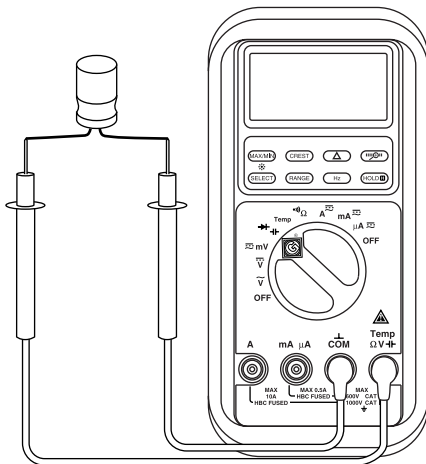


Vérification de la continuité



Mesures types

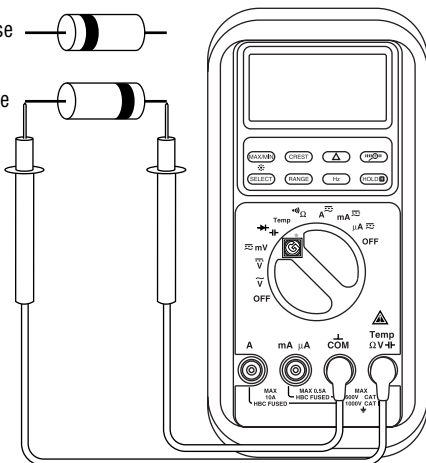
Mesure de la capacité



Mesure des diodes

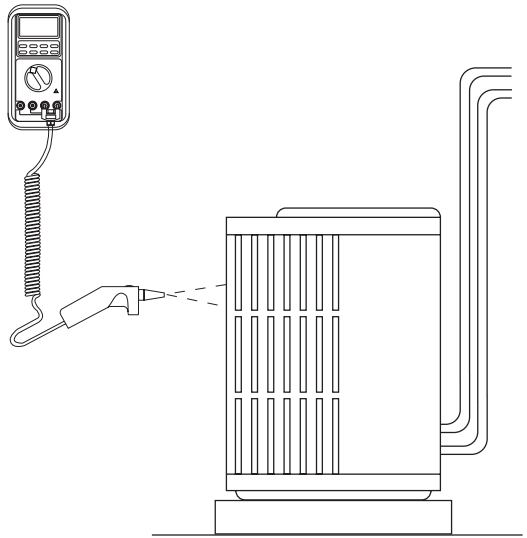
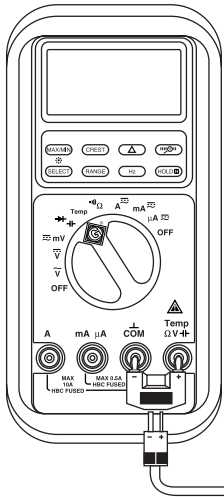
Polarité inverse

Polarité directe



Mesures types

Température



Précision

Pour obtenir les conditions d'utilisation et les coefficients de température, consulter la section sur les spécifications.

La précision est spécifiée comme suit : \pm (un pourcentage de la lecture + une quantité fixe) à 23 °C \pm 5 °C (73,4 °F \pm 9 °F), 0 à 75 % d'humidité relative.

Lectures RMS véritables : Les précisions du DM-810 et du DM-820 sont spécifiées de 5 à 100 % de la plage à moins d'indication contraire. Les fréquences doivent se situer à l'intérieur de la largeur de bande spécifiée pour les formes d'ondes non sinusoïdales. Les facteurs de crête sont les suivants :

- Facteur de crête < 3 : 1 à pleine échelle
- Facteur de crête < 6 : 1 à demie échelle

Courant c. a.

Plage	Précision à 50 Hz à 60 Hz	Précision à 40 Hz à 1 kHz
499,9 μ A	\pm (0,6 % + 0,3 μ A)	\pm (0,8 % + 0,4 μ A)
4 999 μ A	\pm (0,6 % + 3 μ A)	\pm (0,8 % + 4 μ A)
49,99 mA	\pm (0,6 % + 0,03 mA)	\pm (0,8 % + 0,04 mA)
499,9 mA	\pm (1,0 % + 0,3 mA)	\pm (1,0 % + 0,4 mA)
4,999 A	\pm (0,6 % + 0,003 A)	\pm (0,8 % + 0,004 A)
10,00 A*	\pm (0,6 % + 0,03 A)	\pm (0,8 % + 0,04 A)

* 10 A continu ; 20 A maximum (Durée de mise sous tension : 30 secondes allumé, 5 minutes éteint)

Courant c. c.

Plage	Précision
499,9 μ A	\pm (0,2 % + 0,4 μ A)
4 999 μ A	\pm (0,2 % + 4 μ A)
49,99 mA	\pm (0,2 % + 0,04 mA)

Plage	Précision
499,9 mA	\pm (0,2 % + 0,4 mA)
4,999 A	\pm (0,2 % + 0,004 A)
10,00 A*	\pm (0,2 % + 0,04 A)

* 10 A continu ; 20 A maximum (Durée de mise sous tension : 30 secondes allumé, 5 minutes éteint)

Précision (suite)

Tension c.a.

Plage	Précision à 50 Hz à 60 Hz	Précision à 40 Hz à 500 Hz	Précision à 500 Hz à 20 kHz	Impédance d'entrée
49,99 mV	$\pm (0,5 \% + 0,03 \text{ mV})$	$\pm (0,8 \% + 0,03 \text{ mV})$	0,5 dB*	10 M Ω , 44 pF nominal
499,9 mV	$\pm (0,5 \% + 0,3 \text{ mV})$	$\pm (0,8 \% + 0,3 \text{ mV})$	0,5 dB*	
4,999 V	$\pm (0,5 \% + 0,003 \text{ V})$	$\pm (1,0 \% + 0,004 \text{ V})$	3 dB*	10 M Ω , 16 pF nominal
49,99 V	$\pm (0,5 \% + 0,03 \text{ V})$	$\pm (1,0 \% + 0,04 \text{ V})$	3 dB*	
499,9 V	$\pm (0,5 \% + 0,3 \text{ V})$	$\pm (1,0 \% + 0,4 \text{ V})$	3 dB*	
1 000 V	$\pm (0,5 \% + 3 \text{ V})$	$\pm (1,2 \% + 4 \text{ V})$	non-spécifié	

* Sont spécifiées de 30 à 100 % de la plage

Tension c.c.

Plage	Précision	Impédance d'entrée
49,99 mV	$\pm (0,12 \% + 0,02 \text{ mV})$	10 M Ω , 44 pF nominal
499,9 mV	$\pm (0,06 \% + 0,2 \text{ mV})$	
4,999 V	$\pm (0,08 \% + 0,002 \text{ V})$	10 M Ω , 16 pF nominal
49,99 V	$\pm (0,08 \% + 0,02 \text{ V})$	
499,9 V	$\pm (0,08 \% + 0,2 \text{ V})$	
1 000 V	$\pm (0,08 \% + 2 \text{ V})$	

Précision (suite)

Fréquence

Fonction	Sensibilité (Sinus RMS)	Plage
500 mV	300 mV	10 Hz à 125 kHz
5 V	2 V	10 Hz à 125 kHz
50 V	20 V	10 Hz à 20 kHz
500 V	80 V	10 Hz à 1 kHz
1 000 V	300 V	10 Hz à 125 kHz
Ohms, Capacité, Diode	300 mV	10 Hz à 1 kHz
Courant	10 % de la pleine échelle	10 Hz à 125 kHz

Précision des plages de fréquence

Plage d'affichage	Précision
99,99 Hz	$\pm (0,01 \% + 0,02 \text{ Hz})$
999,9 Hz	$\pm (0,01 \% + 0,2 \text{ Hz})$
9,999 kHz	$\pm (0,01 \% + 0,002 \text{ kHz})$
99,99 kHz	$\pm (0,01 \% + 0,02 \text{ kHz})$
125,0 kHz	$\pm (0,01 \% + 0,2 \text{ kHz})$

Précision (suite)

Résistance

Plage	Précision	Circuit de tension ouvert
49,99 Ω	$\pm (0,2 \% + 0,06 \Omega)$	< 3 V.c.c.
499,9 Ω	$\pm (0,1 \% + 0,3 \Omega)$	
4,999 k Ω	$\pm (0,1 \% + 0,002 \text{ k}\Omega)$	< 1,3 V.c.c.
49,99 k Ω	$\pm (0,1 \% + 0,02 \text{ k}\Omega)$	
499,9 k Ω	$\pm (0,1 \% + 0,2 \text{ k}\Omega)$	
4,999 M Ω	$\pm (0,4 \% + 0,003 \text{ M}\Omega)$	
50,00 M Ω	$\pm (1,5 \% + 0,05 \text{ M}\Omega)$	

Capacité

Plage	Précision
49,99 nF	$\pm (0,8 \% + 0,03 \text{ nF})$
499,9 nF	$\pm (0,8 \% + 0,3 \text{ nF})$
4,999 μF	$\pm (1,0 \% + 0,003 \mu\text{F})$

Plage	Précision
49,99 μF	$\pm (2,0 \% + 0,03 \mu\text{F})$
499,9 μF	$\pm (3,5 \% + 0,5 \mu\text{F})$
9 999 μF	$\pm (5,0 \% + 5 \mu\text{F})$

Remarques : Les précisions valent pour les condensateurs à couches (condensateurs dont l'absorption diélectrique est négligeable). Les mesures des condensateurs plus grands peuvent prendre jusqu'à 30 secondes.

Température (DM-820 uniquement)

Plage : -50 à 1 000 °C

Précision : $\pm (0,3 \% + 3 \text{ }^\circ\text{C})$

Remarque : L'information sur la précision est valable uniquement pour le compteur ; se reporter à la feuille d'informations fournie avec le capteur de température (vendu séparément) pour en connaître la précision.

Vérification de la diode

(Plage de mesure): 2,000 V

Vérifier le courant (Type) : 0,8 mA

Tension de circuit ouvert : Moins de 3,5 V.c.c.

Précision : $\pm (1 \% + 0,001 \text{ V})$

Continuité

Seuil de tonalité : entre 20 Ω et 200 Ω .

Temps de réponse : moins de 100 μs

Saisie de crête (Tension et courant) pour des crêtes d'une durée de $\geq 5 \text{ ms}$

Précision : Précision spécifiée ± 150 chiffres

Spécifications

Affichage : DEL (5 000) et graphique à barres à 52 segments

Polarité : Automatique

Taux d'échantillonnage :

Afficheur numérique : 5 par seconde

Afficheur de graphique à barres : 60 par seconde

Coefficient de température : (Nominal) 0,15 x (précision spécifiée) par °C
au-dessous de 18 °C ou au-dessus de 28 °C

Mise hors tension automatique : après 17 minutes d'inactivité.

Pour désactiver cette fonction, appuyer sur RANGE pendant la mise sous tension de l'appareil.

Élimination du bruit* :

Taux d'élimination du mode normal > 60 dB à 50 Hz et 60 Hz lors de la mesure de la tension c.c.

Taux d'élimination du mode commun > 60 dB de 0 à 60 Hz lors de la mesure de la tension c.a.

Taux d'élimination du mode commun > 120 dB à 0 Hz, 50 et 60 Hz lors de la mesure de la tension c.c.

Conditions d'utilisation :

0 à 35 °C (32 à 95 °F), 0 à 80 % d'humidité relative (sans condensation)

35 à 40 °C (95 à 104 °F), 0 à 70 % d'humidité relative (sans condensation)

Altitude : 2 000 m (6 500 pi) maximum

Utilisation à l'intérieur seulement

Conditions d'entreposage : -20 à 60 °C (-4 à 140 °F)

0 à 80 % d'humidité relative (sans condensation)

Retirer la pile.

Pile : pile de 9 volts (NEDA 1604, JIS 006P ou IEC 6F22)

Degré de pollution : 2

Protections de surcharge :

Volts : 1 050 V RMS, 1 450 V crête

Millivolts : 1 050 V RMS, 1 450 V crête

A : fusible 15 A/1 000 V, pouvoir de coupure nominal 10 kA, 13/32 po x 1-1/2 po

µA et mA : fusible 1 A/600 V, pouvoir de coupure nominal 100 kA, 13/32 po x 1-1/2 po

Autres fonctions : 1 050 V RMS, 1 450 V crête

Spécifications (suite)

Catégories de surtension :

DM-800 :

$\Omega V \text{---} \text{---}$ Borne : Catégorie III, 600 V.c.a et 600 V.c.c ; Catégorie II, 1 000 V.c.a et 1 000 V.c.c

Borne μA et mA : Catégorie III, 240 V.c.a. et 150 V.c.c.

Borne A : Catégorie III, 240 V.c.a. et 150 V.c.c.

Les modèles DM-810 et DM-820 respectent les exigences d'isolation double de l'IEC 61010-1 (1995), EN61010-1 (1995), UL3111-1 (6.1994), CSA C22.2 N° 1010-1-92 et IEC 61010-1 deuxième édition, version (1999) aux bornes :

Borne $\Omega V \text{---} \text{---}$: Catégorie III 1 000 volts c.a. et c.c. et Catégorie IV, 600 volts c.a. et c.c.

Borne A : Catégorie III 1 000 volts c.a. et c.c. et Catégorie IV, 600 volts c.a. et c.c.

Borne μA et mA : Catégorie III et Catégorie IV, 600 volts c.a. et 300 volts c.c.

* L'élimination du bruit signifie la capacité de rejeter des signaux ou des bruits indésirables.

- *Les tensions en mode normal* sont des signaux c.a. qui peuvent fausser les mesures de c.c. Le NMRR (Normal Mode Rejection Ratio [Taux de rejet du mode normal]) mesure la capacité de filtrer ces signaux.
- *Les tensions en mode commun* sont des signaux existant aux bornes COM et +, selon la mise à la terre, qui peuvent brouiller les chiffres ou déporter les mesures de tension. Le CMRR (Common Mode Rejection Ratio [Taux de rejet du mode commun]) mesure la capacité de filtrer ces signaux.

Catégorie d'installation de surtension respectant les normes de l'IEC1010

Surtension, catégorie I

L'équipement de surtension de la catégorie I est utilisé pour le branchement à des circuits dont les mesures ont pour but de limiter à un niveau acceptable les surtensions transitoires.

Remarque : par exemple, les circuits électroniques protégés.

Surtension, catégorie II

L'équipement de surtension de la catégorie II consomme l'énergie fournie à partir de l'installation fixe.

Remarque : par exemple, les appareils pour les maisons, les bureaux et les laboratoires.

Surtension, catégorie III

L'équipement de surtension de la catégorie III est destiné aux installations fixes.

Remarque : par exemple, les prises des installations fixes et certains équipements destinés à un usage industriel et ayant une connexion permanente à l'installation fixe.

Surtension, catégorie IV

L'équipement de surtension de la catégorie IV est utilisé à la source de l'installation.

Remarque : par exemple, un compteur électrique et des appareils de protection contre la surintensité primaire.

Remplacement de la pile et du fusible

AVERTISSEMENT

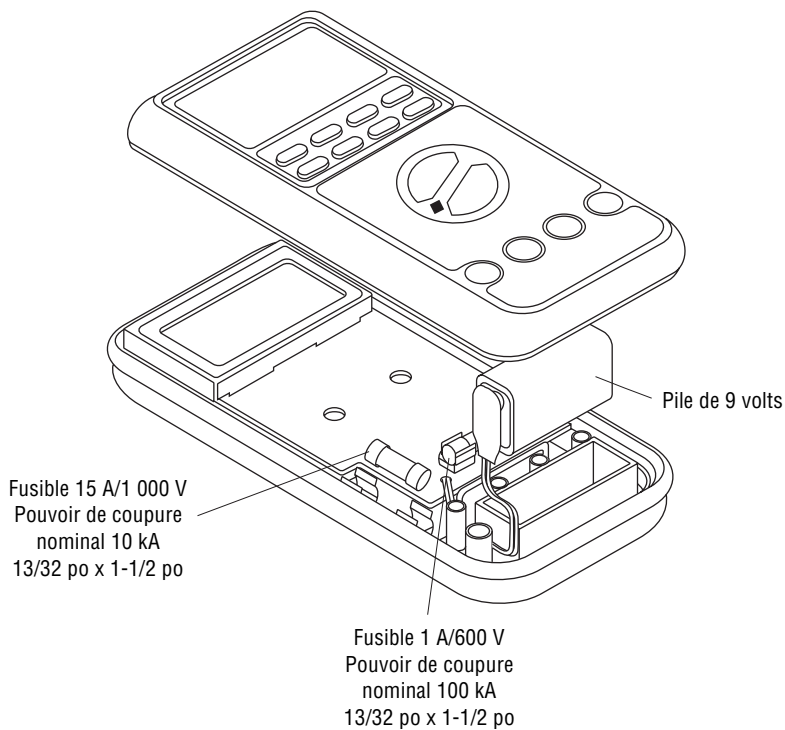
Avant d'ouvrir le boîtier, retirer les fils d'essai du circuit et mettre l'appareil hors tension.
L'inobservation de cette consigne peut entraîner des blessures graves, voire mortelles.

AVERTISSEMENT

Le fusible est une partie intégrante du système de protection de surtension. Lorsqu'un remplacement du fusible s'avère nécessaire, consulter les spécifications pour connaître le type, la taille et la capacité requis. L'utilisation de tout autre type de fusible annule le calibrage de protection de surtension de l'appareil.
L'inobservation de cette consigne peut entraîner des blessures graves, voire mortelles.

1. Débrancher l'appareil du circuit. Mettre l'appareil hors tension (OFF).
2. Enlever les quatre vis du couvercle arrière.
3. Retirer le couvercle arrière.
4. Remplacer la pile (selon la polarité) et/ou le(s) fusible(s).
5. Aligner les deux moitiés de l'appareil et le joint d'étanchéité en caoutchouc.
6. S'assurer que le sélecteur est dans la position d'origine, pour qu'il puisse s'aligner avec le commutateur interne.
7. Replacer le couvercle et remettre les vis.

Remplacement de la pile et des fusibles (suite)



Nettoyage

Nettoyer régulièrement le boîtier avec un chiffon humide et un détergent doux. Ne pas utiliser de produits abrasifs ou de solvants.

Lifetime Limited Warranty

Greenlee warrants to the original purchaser of these goods for use that these products will be free from defects in workmanship and material for their useful life, excepting normal wear and abuse. This warranty is subject to the same terms and conditions contained in Greenlee's standard one-year limited warranty.

For all Test Instrument repairs, ship units Freight Prepaid to:
Greenlee Textron, 4411 Boeing Drive, Rockford, IL 61109-2932 USA.

Mark all packages: Attention TEST INSTRUMENT REPAIR. For items not covered under warranty (such as dropped, abused, etc.), repair cost quote available upon request.

Note: Prior to returning any test instrument, please check replaceable batteries or make sure the battery is at full charge.

Garantía limitada de por vida

Greenlee garantiza al comprador original de estos productos para su uso que estos productos estarán libres de defectos de mano de obra y materiales durante toda su vida útil, exceptuando el desgaste normal y el abuso. Esta garantía está sujeta a los mismos términos y condiciones contenidos en la garantía estándar limitada de Greenlee de un año de duración.

Para reparación de instrumentos de verificación, envíe las unidades con flete pagado a:
Greenlee Textron, 4411 Boeing Drive, Rockford, IL 61109-2932 EE. UU.

Marque todos los paquetes: Atención TEST INSTRUMENT REPAIR (Reparación de instrumentos de verificación). Para artículos no cubiertos por la garantía (tales como los que se han dejado caer o han sido maltratados, etc.) se puede cotizar el costo de la reparación a pedido.

Nota: Antes de enviar cualquier instrumento de verificación, revise por favor las pilas o asegúrese de que estén totalmente cargadas.

Garantie à vie limitée

La société Greenlee garantit à l'acheteur d'origine de ces produits que ces derniers ne comportent aucun défaut d'exécution ou de matériau pour la durée de leur vie utile, sauf l'usure normale. Cette garantie est assujettie aux mêmes conditions que celles contenues dans les modalités et conditions de la garantie limitée standard d'un an de Greenlee.

Pour toutes les réparations d'instruments de mesure, expédiez l'appareil en port payé à l'adresse suivante :
Greenlee Textron, 4411 Boeing Drive, Rockford, IL 61109-2932, États-Unis.

Sur tous les colis, inscrivez : Attention : TEST INSTRUMENT REPAIR (Réparation d'instrument de mesure). Lorsque les articles ne sont pas protégés par une garantie (comme si l'appareil est échappé, s'il est soumis à un usage abusif, etc.), une soumission pour le prix de réparation sera présentée sur demande.

Remarque : Avant de renvoyer un appareil de mesure, vérifiez la pile et assurez-vous qu'elle est chargée au complet.

For technical assistance: 800/435-0786

GREENLEE TEXTRON

Greenlee Textron / Subsidiary of Textron Inc.

4455 Boeing Drive, Rockford, IL 61109-2988 USA

Technical / Customer Service (International): 815/397-7070 • Fax: 815/397-9247

Customer Service (North America): 800/435-0786 • Fax: 800/451-2632, 815/397-1865

Canada Fax: 800/524-2853